



AC1

AC1/AP-3F

Ind.d4,PNP-NO,M8 plug,Sch-LD
Ø 4 MM CYLINDRICAL MINIATURIZED INDUCTIVE
SENSORS

OVERVIEW

- Smooth stainless steel housing
- Ø4 mm diameter
- Yellow output LED 360° visible
- Available 2 m PVC cable models or M8 connector models
- IP 67 protection degree



TECHNICAL FEATURES

Detection properties

| | |
|--------------------------|---|
| Nominal sensing distance | 1,5mm |
| Operating distance | 0...1,21mm |
| Standard target | 4.5x4.5mm FE360 |
| Correction Factor | copper: $0,29 \pm 10\%$ / aluminium: $0,23 \pm 10\%$ / brass: $0,31 \pm 10\%$ / stainless steel: $0,66 \pm 10\%$ |
| Thermal drift of Sr | < 10% |

| | |
|-----------------|----------------------------|
| Repeat Accuracy | < 5% (UB 24V Ta=23°C ±5°C) |
|-----------------|----------------------------|

| | |
|------------|-----------|
| Hysteresis | 1 ... 20% |
|------------|-----------|

Application

| | |
|-------------|-------------------------|
| Description | Ø4 standard flush mount |
|-------------|-------------------------|

| | |
|-----------|-----------|
| Functions | Proximity |
|-----------|-----------|

Outputs

| | |
|-------------|-----|
| Output type | PNP |
|-------------|-----|

| | |
|-----------------|----|
| Output Function | NO |
|-----------------|----|

| | |
|---------------------|------|
| Switching frequency | 5kHz |
|---------------------|------|

Electrical data

| | |
|-------------------|------------|
| Operating Voltage | 10...30Vdc |
|-------------------|------------|

| | |
|------------------------|--------|
| No-Load supply current | ≤ 10mA |
|------------------------|--------|

| | |
|--------------|---------|
| Load current | ≤ 100mA |
|--------------|---------|

| | |
|-----------------|--------|
| Leakage current | ≤ 10µA |
|-----------------|--------|

| | |
|---------------------|---------------|
| Output voltage drop | ≤ 1,5V @100mA |
|---------------------|---------------|

| | |
|--------------------|-------|
| Max ripple content | ≤ 10% |
|--------------------|-------|

| | |
|----------------|-------------------------|
| LED indicators | Yellow LED output state |
|----------------|-------------------------|

| | |
|--------------------------------|--------|
| Time delay before availability | ≤ 50ms |
|--------------------------------|--------|

| | |
|------------------------------------|-----|
| Short-circuit protection | Yes |
| Reverse Polarity Protection | Yes |
| Impulsive Overvoltage Protection | Yes |
| Protection against inductive loads | Yes |

Mechanical data

| | |
|-----------------------|-------------------------|
| Dimensions | Ø4 / L = 38,4mm |
| Mounting | Shielded |
| Material | AISI303 Stainless Steel |
| Housing material | AISI303 Stainless Steel |
| Weight | 4g |
| Connections | M8 Plug |
| Active Head Material | PBT |
| Operating temperature | -25°C...+70°C |
| Diameter/Dimension | Ø4 |

Test/Approvals

| | |
|-----------------------|--|
| Approvals | CE cULus |
| EMC compatibility | IEC 60947-5-2 |
| Shocks and vibrations | Vibration IEC 60068-2-6 / Shock IEC 60068-2-27 |
| Degree of protection | IP67 |

Generical Data

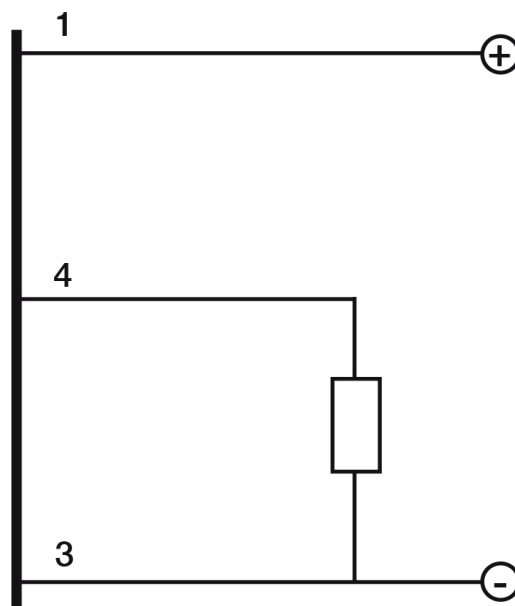
Dimensions $\varnothing 4 / L = 38,4\text{mm}$

Operating Temperature $-25^{\circ}\text{C} \dots +70^{\circ}\text{C}$

Mechanical Protection IP67

CONNECTIONS

Electrical diagram

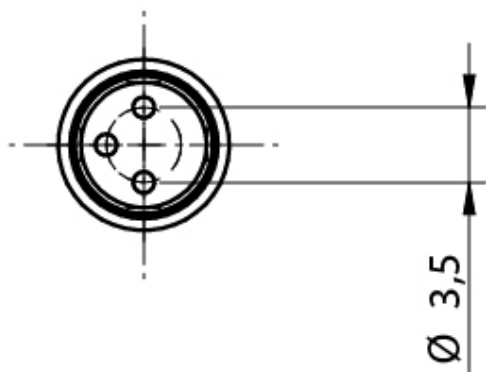
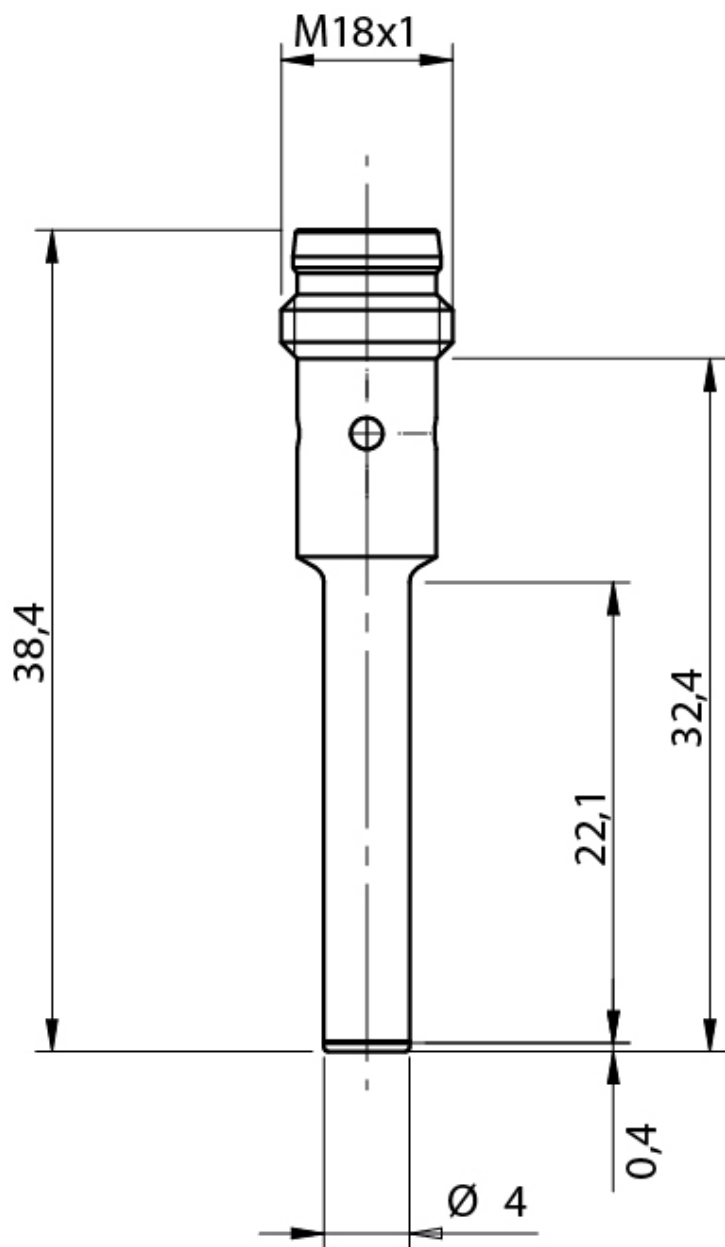


Connector

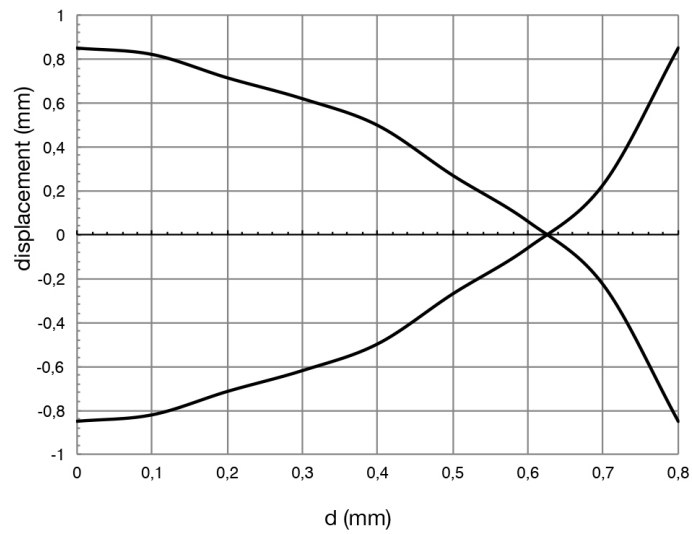


OTHERS

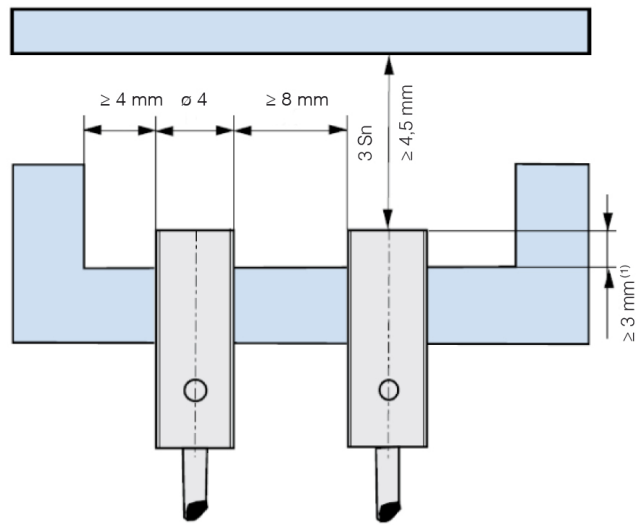
Dimensions



Response curves



Installation



⁽¹⁾ ≥ 4 mm without ferro-magnetic material

Datasensing S.r.l.

Strada S.Caterina, 235
41122 Modena (MO)
Tel. 059 420411
Fax 059 253973
E-mail
info@datasensing.com

**date of
printing**
19/06/2026
13:52:42