



AC1

AC1/AP-1F

Ind.d4,PNP-NO,M8 plug,Sch-STD
Ø 4 MM CYLINDRICAL MINIATURIZED INDUCTIVE
SENSORS

OVERVIEW

- Smooth stainless steel housing
- Ø4 mm diameter
- Yellow output LED 360° visible
- Available 2 m PVC cable models or M8 connector models
- IP 67 protection degree



TECHNICAL FEATURES

Detection properties

Nominal sensing distance	0,8mm
Operating distance	0...0,65mm
Standard target	4x4mm FE360
Correction Factor	copper: $0,28 \pm 10\%$ / aluminium: $0,21 \pm 10\%$ / brass: $0,32 \pm 10\%$ / stainless steel: $0,63 \pm 10\%$
Thermal drift of Sr	< 10%

Repeat Accuracy	< 5% (UB 24V Ta=23°C ±5°C)
-----------------	----------------------------

Hysteresis	1 ... 20%
------------	-----------

Application

Description	Ø4 standard flush mount
-------------	-------------------------

Functions	Proximity
-----------	-----------

Outputs

Output type	PNP
-------------	-----

Output Function	NO
-----------------	----

Switching frequency	5kHz
---------------------	------

Electrical data

Operating Voltage	10...30Vdc
-------------------	------------

No-Load supply current	≤ 10mA
------------------------	--------

Load current	≤ 100mA
--------------	---------

Leakage current	≤ 10µA
-----------------	--------

Output voltage drop	≤ 1,5V @100mA
---------------------	---------------

Max ripple content	≤ 10%
--------------------	-------

LED indicators	Yellow LED output state
----------------	-------------------------

Time delay before availability	≤ 50ms
--------------------------------	--------

Short-circuit protection	Yes
Reverse Polarity Protection	Yes
Impulsive Overvoltage Protection	Yes
Protection against inductive loads	Yes

Mechanical data

Dimensions	Ø4 / L = 38,4mm
Mounting	Shielded
Material	AISI303 Stainless Steel
Housing material	AISI303 Stainless Steel
Weight	4g
Connections	M8 Plug
Active Head Material	PBT
Operating temperature	-25°C...+70°C
Diameter/Dimension	Ø4

Test/Approvals

Approvals	CE cULus
EMC compatibility	IEC 60947-5-2
Shocks and vibrations	Vibration IEC 60068-2-6 / Shock IEC 60068-2-27
Degree of protection	IP67

Generical Data

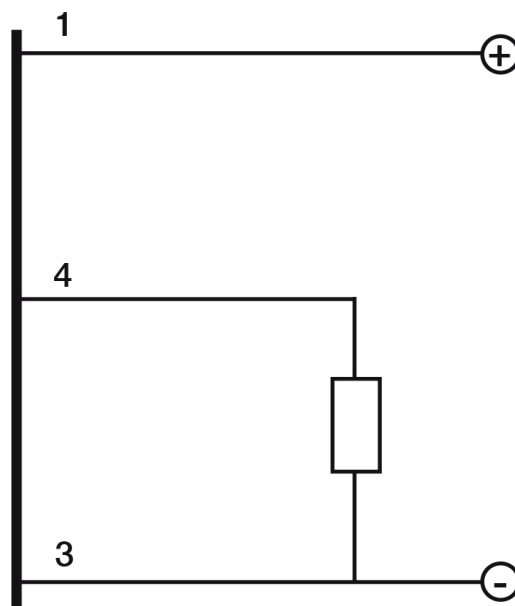
Dimensions $\varnothing 4 / L = 38,4\text{mm}$

Operating Temperature $-25^{\circ}\text{C} \dots +70^{\circ}\text{C}$

Mechanical Protection IP67

CONNECTIONS

Electrical diagram

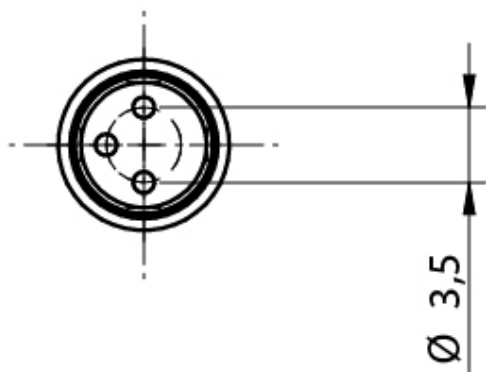
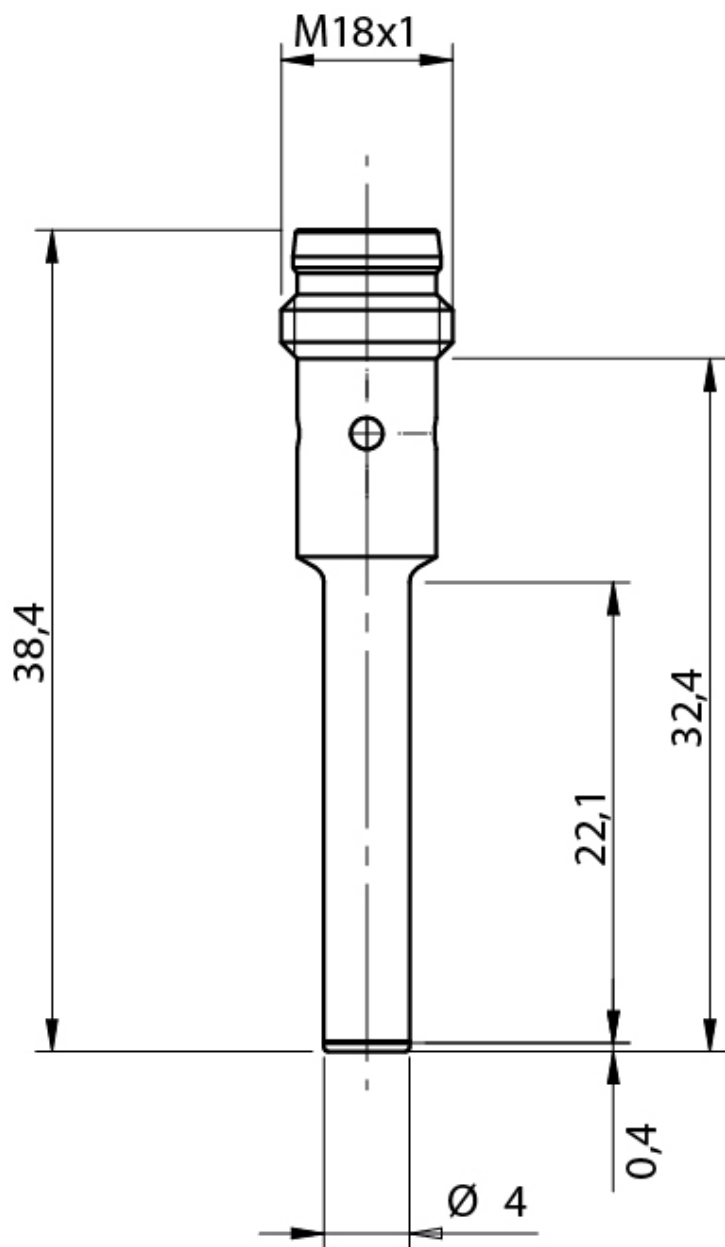


Connector

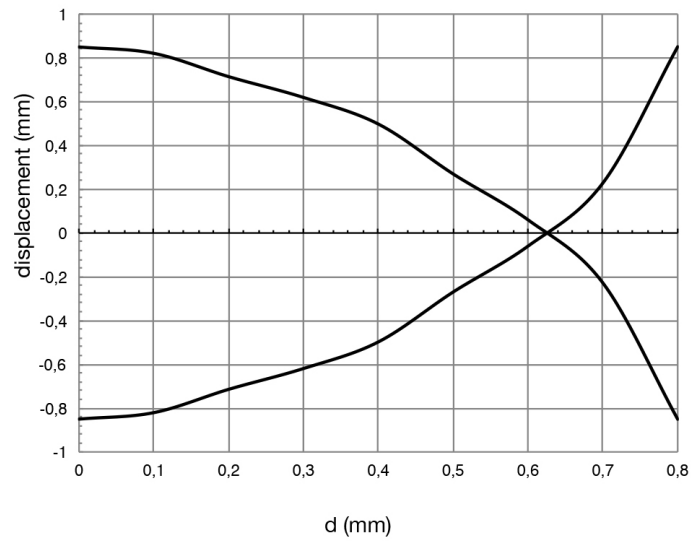


OTHERS

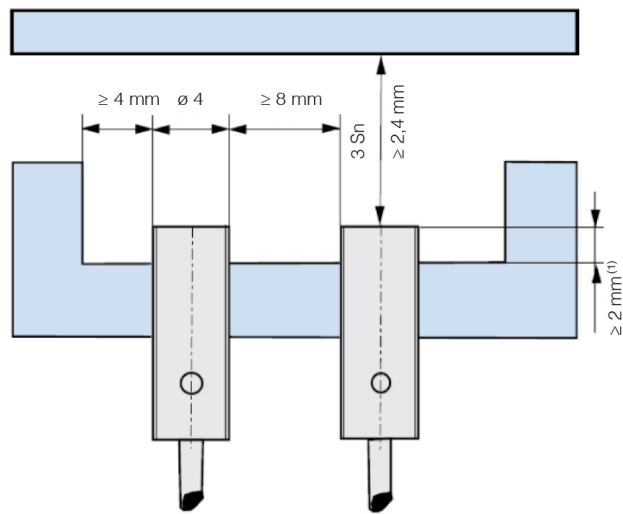
Dimensions



Response curves



Installation



⁽¹⁾ ≥ 3 mm without ferro-magnetic material

Datasensing S.r.l.

Strada S.Caterina, 235
41122 Modena (MO)
Tel. 059 420411
Fax 059 253973
E-mail
info@datasensing.com

**date of
printing**
13/06/2026
03:58:40