



AB1

AB1/CN-1A

Ind.M4,NPN-NC,Cable,Sch-STD
M4 CYLINDRICAL MINIATURIZED INDUCTIVE SENSORS

OVERVIEW

- Complete range of cylindrical ultraminiaturized inductive sensors M4
- IP67 protection degree



TECHNICAL FEATURES

Detection properties

Nominal sensing distance	0,6mm
Operanting distance	0...0,48mm
Standard target	4x4mm FE360
Correction Factor	copper: $0,23 \pm 10\%$ / aluminium: $0,26 \pm 10\%$ / brass: $0,31 \pm 10\%$ / stainless steel: $0,52 \pm 10\%$
Thermal drift of Sr	< 10%
Repeat Accuracy	< 5% (UB 24V Ta=23°C ±5°C)

Hysteresis	1 ... 20%
------------	-----------

Application

Description	M4 standard flush mount
-------------	-------------------------

Functions	Proximity
-----------	-----------

Outputs

Output type	NPN
-------------	-----

Output Function	NC
-----------------	----

Switching frequency	3kHz
---------------------	------

Electrical data

Operating Voltage	10...30Vdc
-------------------	------------

No-Load supply current	$\leq 10\text{mA}$
------------------------	--------------------

Load current	$\leq 100\text{mA}$
--------------	---------------------

Leakage current	$\leq 10\mu\text{A}$
-----------------	----------------------

Output voltage drop	$\leq 1,5\text{V @}100\text{mA}$
---------------------	----------------------------------

Max ripple content	$\leq 10\%$
--------------------	-------------

LED indicators	Yellow LED output state
----------------	-------------------------

Time delay before availability	$\leq 50\text{ms}$
--------------------------------	--------------------

Short-circuit protection	Yes
--------------------------	-----

Reverse Polarity Protection	Yes
-----------------------------	-----

Impulsive Overvoltage Protection	Yes
----------------------------------	-----

Protection against inductive loads	Yes
------------------------------------	-----

Mechanical data

Dimensions	M4 x 0,5 / L = 22mm
------------	---------------------

Mounting	Shielded
----------	----------

Material	AISI303 Stainless Steel
----------	-------------------------

Housing material	AISI303 Stainless Steel
------------------	-------------------------

Weight	30g
--------	-----

Connections	2m PUR Cable
-------------	--------------

Active Head Material	PBT
----------------------	-----

Tightening torque	1,5Nm
-------------------	-------

Operating temperature	-25°C...+70°C
-----------------------	---------------

Diameter/Dimension	M4
--------------------	----

Test/Approvals

Approvals	CE UL
-----------	-------

EMC compatibility	IEC 60947-5-2
-------------------	---------------

Shocks and vibrations	Vibration IEC 60068-2-6 / Shock IEC 60068-2-27
-----------------------	------------------------------------------------

Degree of protection	IP67
----------------------	------

Accessories

Supplied Accessories

2 nuts M5x0.5

Generical Data

Dimensions

M4 x 0,5 / L = 22mm

Operating Temperature

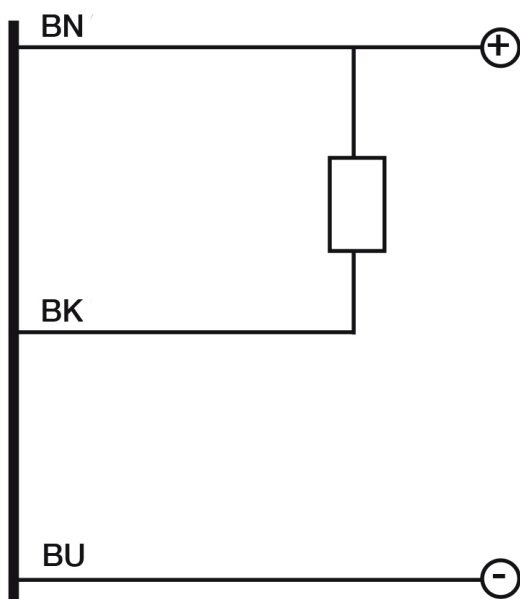
-25°C...+70°C

Mechanical Protection

IP67

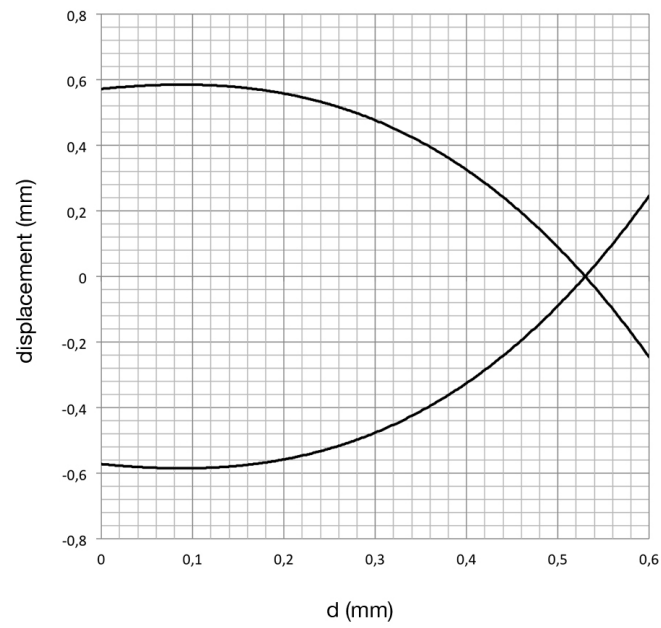
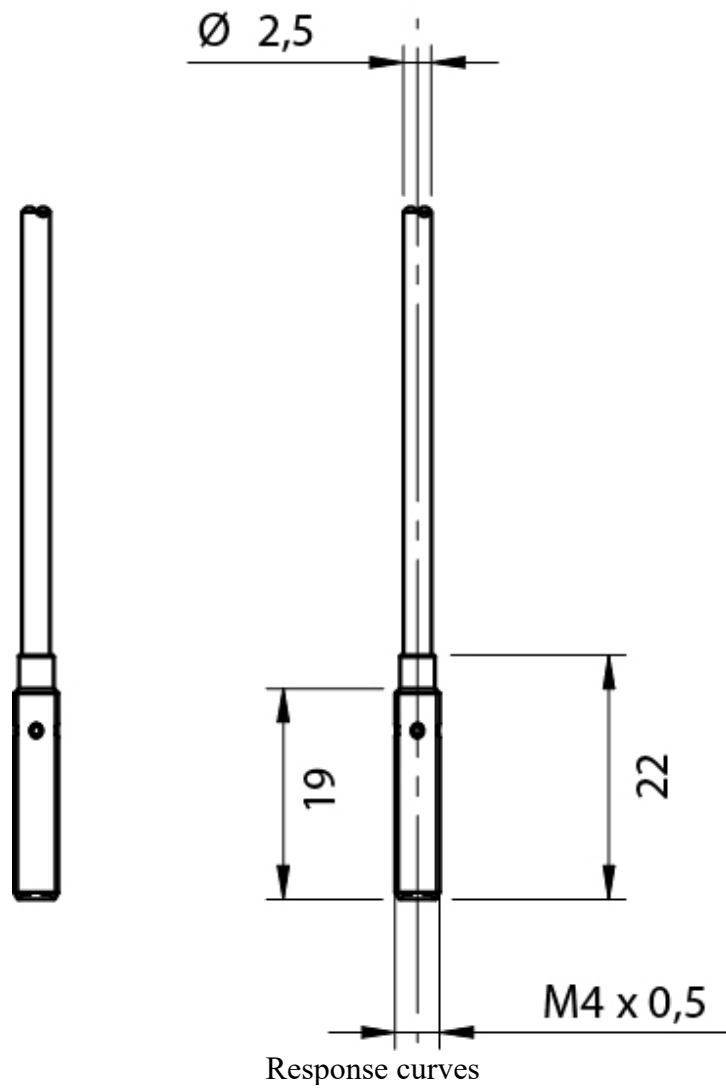
CONNECTIONS

Electrical diagram

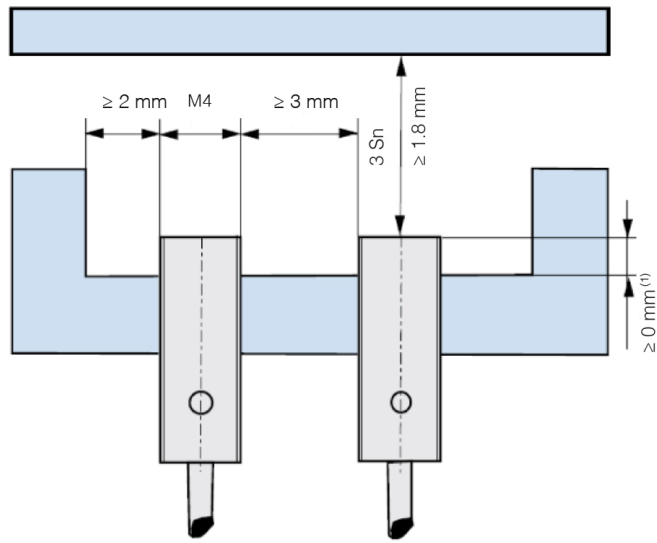


OTHERS

Dimensions



Installation



⁽¹⁾ ≥ 2.5 mm without ferro-magnetic material

**Datasensing
S.r.l.**

Strada S.Caterina, 235
41122 Modena (MO)
Tel. 059 420411
Fax 059 253973
E-mail
info@datasensing.com

**date of
printing**
13/06/2026
03:42:26