



# C18

## C18P/BN-2A

Cap.M18,NPN-NO+NC,Cable,Nsch-LD  
M18 CYLINDRICAL CAPACITIVE SENSORS

## OVERVIEW

- DC or AC supply voltage
- High noise immunity
- Shielded and unshielded models
- Adjustable sensitivity
- Plastic housing



## TECHNICAL FEATURES

### Detection properties

Nominal sensing distance	3...12mm
Thermal drift of Sr	< 20%
Repeat Accuracy	5%
Sensitivity adjustment	Yes
Hysteresis	≤ 20%

## Outputs

Output type	NPN
Output Function	NO + NC
Switching frequency	50Hz

## Electrical data

Operating Voltage	10...40Vdc
No-Load supply current	$\leq 12\text{mA}$
Load current	$\leq 200\text{mA}$
Leakage current	$\leq 100\mu\text{A}$
Output voltage drop	$\leq 2,5\text{V @ IL} = 200\text{mA}$
Max ripple content	$\leq 10\%$
LED indicators	Yellow LED (object detected)
Time delay before availability	$\leq 200\text{ms}$
Short-circuit protection	polarity reversal, overvoltage
Reverse Polarity Protection	Yes
Impulsive Overvoltage Protection	Yes

## Mechanical data

Dimensions	M18 x 1 / L = 99mm
Mounting	Unshielded

Housing material	Polyester
Weight	150g
Connections	2m PVC cable
Active Head Material	Polyester
Tightening torque	2,6Nm
Operating temperature	-35°C...+85°C (without freeze)
Storage temperature	-40°C...+85°C
Diameter/Dimension	M18

#### Test/Approvals

Approvals	CE cULus
EMC compatibility	IEC 60947-5-2
Shocks and vibrations	Vibration IEC 60068-2-6 / Shock IEC 60068-2-27
Degree of protection	IP67, IP68

#### Accessories

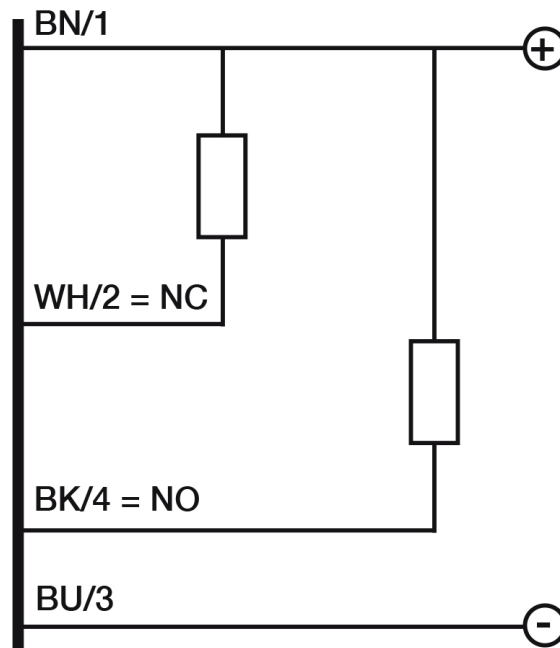
Supplied Accessories	screw driver, 2 x M18 nuts
----------------------	----------------------------

#### Generical Data

Dimensions	M18 x 1 / L = 99mm
Operating Temperature	-35°C...+85°C (without freeze)

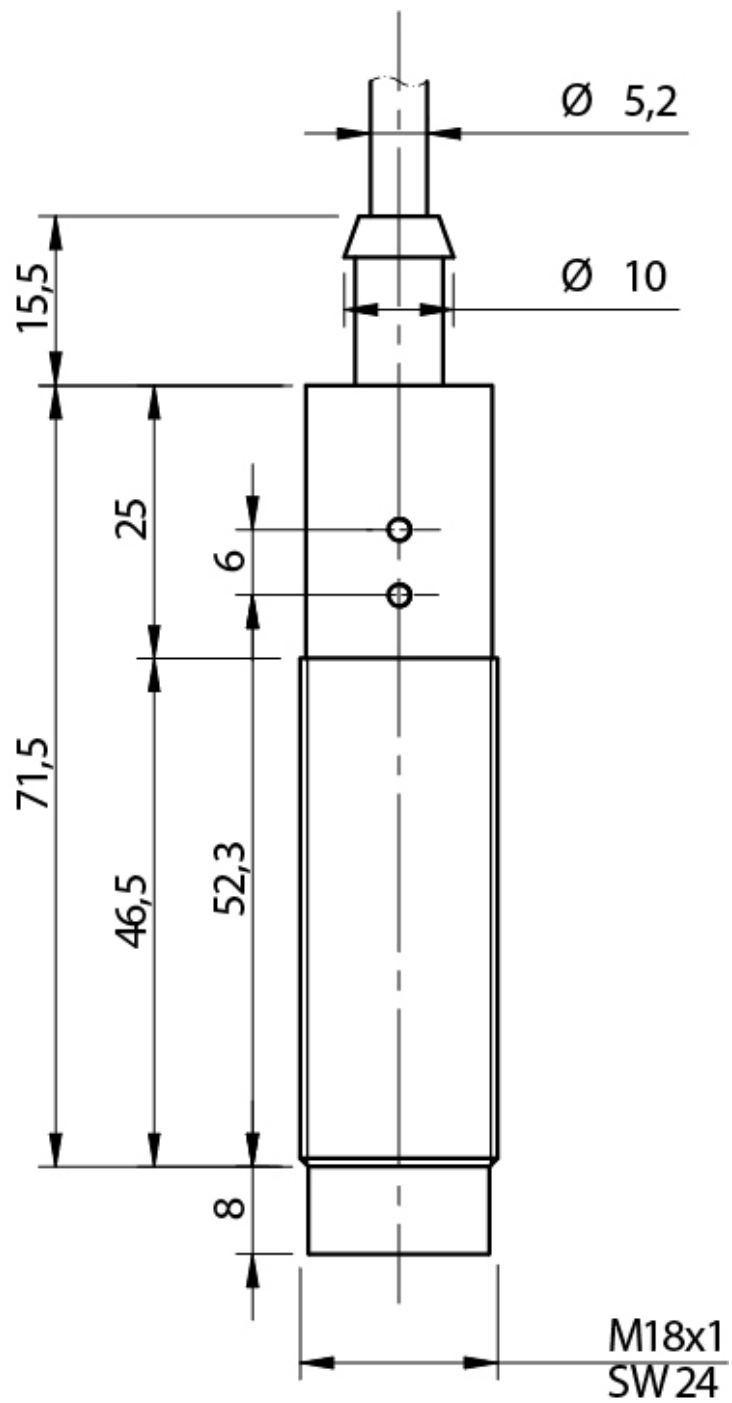
# CONNECTIONS

Electrical diagram



# OTHERS

Dimensions



**Datasensing  
S.r.l.**

Strada S.Caterina, 235  
41122 Modena (MO)  
Tel. 059 420411  
Fax 059 253973  
E-mail  
info@datasensing.com

**date of  
printing**  
13/06/2026  
13:48:30