



# C12

## C12P/00-3A

Cap.M12,NPN/PNP-NO/NC,Cable,Sch/Nsch-LD  
M12 CYLINDRICAL CAPACITIVE SENSORS

## OVERVIEW



## TECHNICAL FEATURES

### Detection properties

Nominal sensing distance	0,5...4mm shielded; 0,5...8mm unshielded
Thermal drift of Sr	< 20%
Repeat Accuracy	5%
Sensitivity adjustment	Yes
Hysteresis	≤ 20%

### Outputs

Output type	NPN/PNP
-------------	---------

Output Function	NO/NC
Switching frequency	≤15Hz

#### Electrical data

Operating Voltage	10...40Vdc
No-Load supply current	≤ 12mA
Load current	≤ 200mA
Leakage current	≤ 300μA
Output voltage drop	≤ 2,5V @ IL = 200mA
Max ripple content	≤10%
LED indicators	Yellow LED (object detected), green LED power supply/stability
Time delay before availability	≤ 200ms
Short-circuit protection	polarity reversal, overvoltage
Reverse Polarity Protection	Yes
Impulsive Overvoltage Protection	Yes

#### Mechanical data

Dimensions	M12 x 1 / L = 78mm
Mounting	Shielded/Unshielded
Housing material	Polyester

Weight	110g
Connections	2m PVC cable
Active Head Material	Polyester
Operating temperature	-35°C...+85°C (without freeze)
Storage temperature	-40°C...+85°C
Diameter/Dimension	M12

#### Test/Approvals

Approvals	CE cULus
EMC compatibility	IEC 60947-5-2
Shocks and vibrations	Vibration IEC 60068-2-6 / Shock IEC 60068-2-27
Degree of protection	IP67

#### Accessories

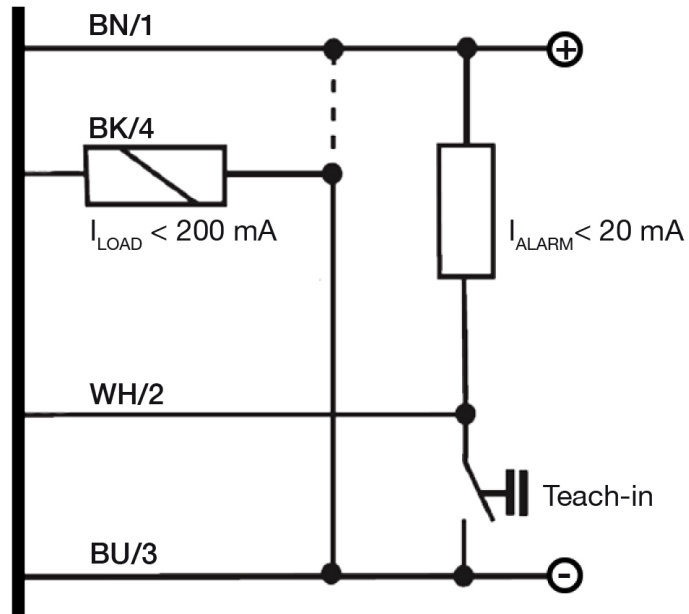
Supplied Accessories	2 x M12 nuts
----------------------	--------------

#### Generical Data

Dimensions	M12 x 1 / L = 78mm
Operating Temperature	-35°C...+85°C (without freeze)
Mechanical Protection	IP67

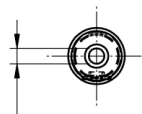
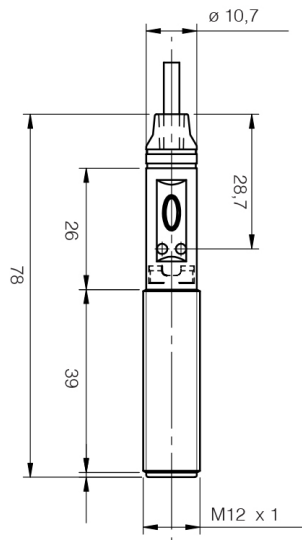
# CONNECTIONS

### Electrical diagram

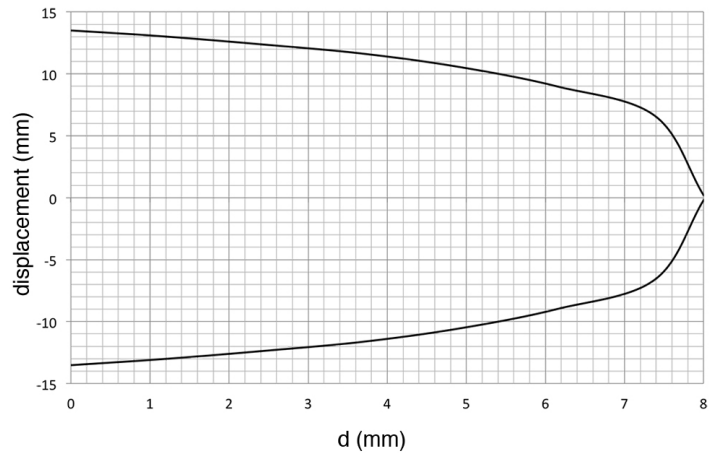


## OTHERS

### Dimensions



### Response curves



**Datasensing  
S.r.l.**

Strada S.Caterina, 235  
41122 Modena (MO)  
Tel. 059 420411  
Fax 059 253973  
E-mail  
info@datasensing.com

**date of  
printing**  
13/06/2026  
04:06:06