



# CT

## CT1/CN-1A

Cap.M30,NPN-NC,Cable,Sch-STD  
M30 CYLINDRICAL CAPACITIVE SENSORS

## OVERVIEW

- Sensitivity adjustment with trimmer
- Metal housing
- IP65 protection degree
- Complete protection against electrical damages
- Axial cable exit or M12 plug cable exit



## TECHNICAL FEATURES

### Detection properties

Nominal sensing distance	2...15mm
Thermal drift of Sr	< 20%
Repeat Accuracy	10%
Sensitivity adjustment	Yes
Hysteresis	≤ 20%

## Outputs

Output type	NPN
Output Function	NC
Switching frequency	100Hz

## Electrical data

Operating Voltage	10...30Vdc
No-Load supply current	$\leq 8\text{mA}$
Load current	$\leq 200\text{mA}$
Leakage current	$\leq 10\text{mA}$
Output voltage drop	0,75/1,8V max @ $I_L=10/200\text{ mA}$
Max ripple content	$\leq 10\%$
LED indicators	Green LED power, red LED (object detected)
Time delay before availability	$\leq 100\text{ms}$
Short-circuit protection	Yes, autoreset
Reverse Polarity Protection	Yes
Impulsive Overvoltage Protection	Yes

## Mechanical data

Mounting	Shielded
Dimensions	M30 / L = 87mm

Weight	260g
Housing Material	Nickel-plated brass
Connections	2m PVC cable
Active Head Material	PBT
Tightening torque	50Nm
Operating temperature	-25°C...+70°C
Diameter/Dimension	M30

#### Test/Approvals

Approvals	CE cULus
EMC compatibility	IEC 60947-5-2
Shocks and vibrations	Vibration IEC 60068-2-6 / Shock IEC 60068-2-27
Degree of protection	IP65

#### Accessories

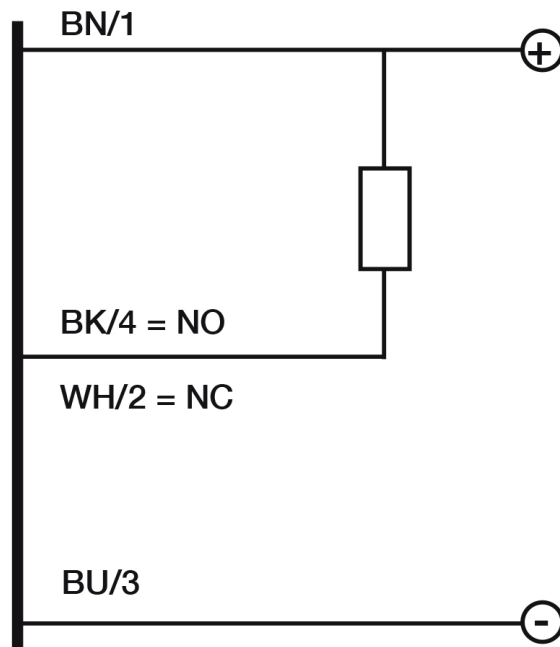
Supplied Accessories	screw driver, 2 x M30 nuts
----------------------	----------------------------

#### Generical Data

Dimensions	M30 / L = 87mm
Operating Temperature	-25°C...+70°C (without freeze)
Mechanical Protection	IP65

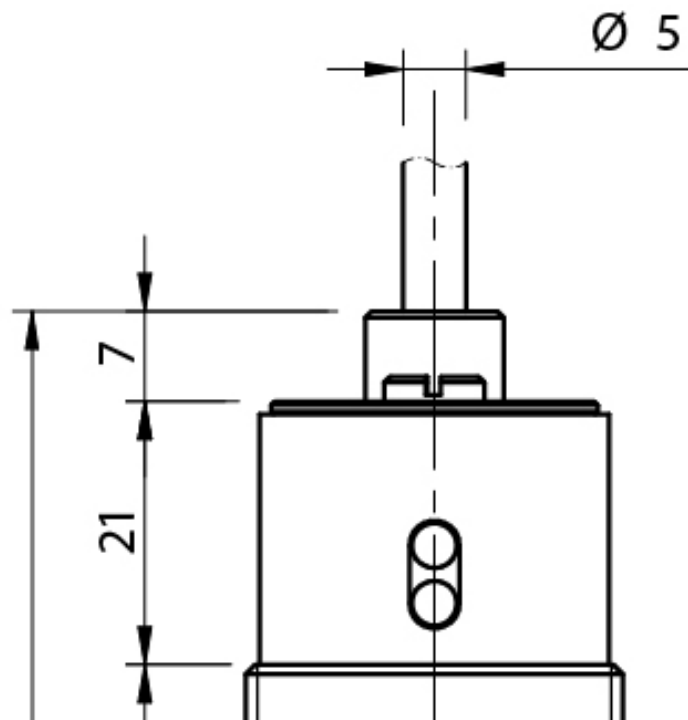
# CONNECTIONS

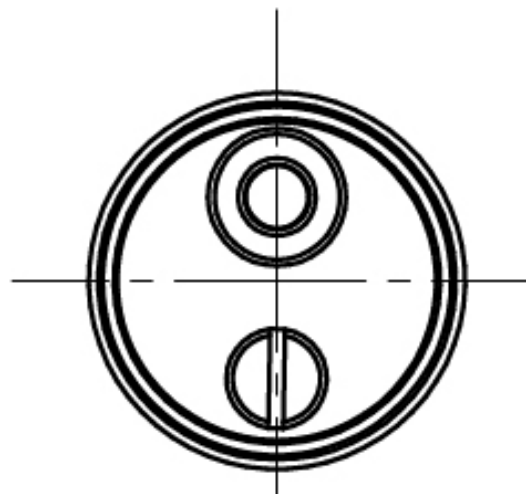
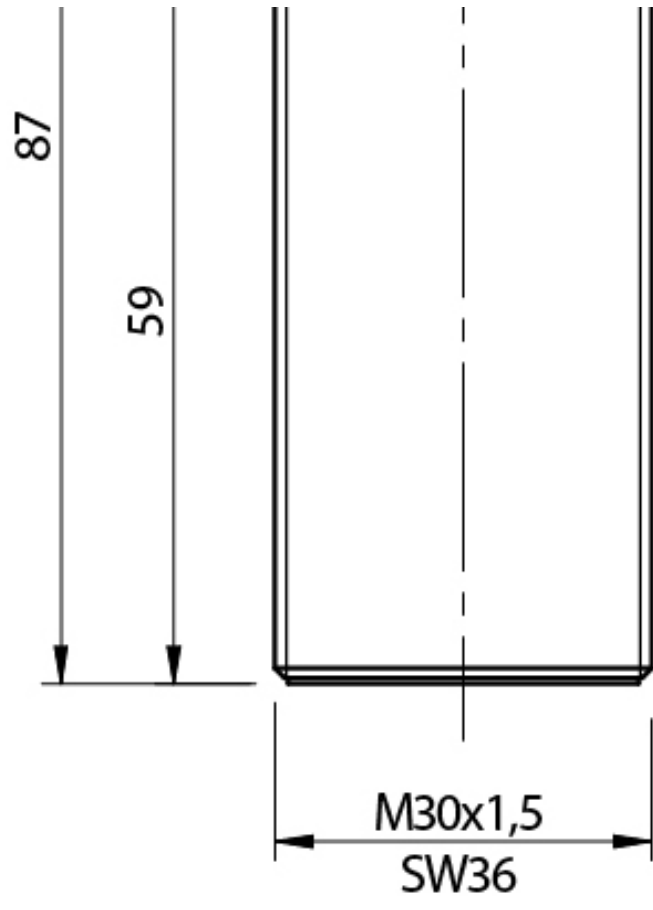
Electrical diagram



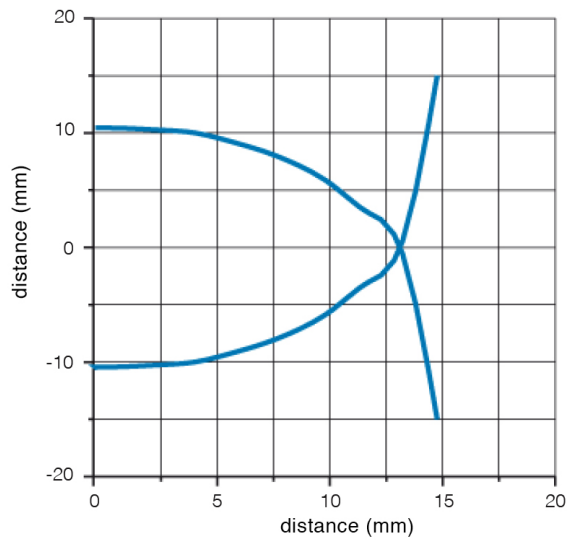
# OTHERS

Dimensions





Response curves



**Datasensing  
S.r.l.**

Strada S.Caterina, 235  
41122 Modena (MO)  
Tel. 059 420411  
Fax 059 253973  
E-mail  
info@datasensing.com

**date of  
printing**  
11/04/2026  
15:49:02