



C30

C30P/BP-1E

Cap.M30,PNP-NO+NC,M12 plug,Sch-LD
M30 CYLINDRICAL CAPACITIVE SENSORS

OVERVIEW

- DC or AC supply voltage
- High noise immunity
- Shielded and unshielded models
- Adjustable sensitivity
- Metallic or plastic housing



TECHNICAL FEATURES

Detection properties

Nominal sensing distance	2...16mm
Thermal drift of Sr	< 20%
Repeat Accuracy	5%
Sensitivity adjustment	Yes
Hysteresis	≤ 20%

Outputs

Output type	PNP
Output Function	NO + NC
Switching frequency	30Hz

Electrical data

Operating Voltage	10...40Vdc
No-Load supply current	$\leq 12\text{mA}$
Load current	$\leq 200\text{mA}$
Leakage current	$\leq 100\mu\text{A}$
Output voltage drop	2,5Vmax @ IL=200mA
Max ripple content	$\leq 10\%$
LED indicators	Yellow LED (object detected)
Time delay before availability	$\leq 200\text{ms}$
Short-circuit protection	Yes, autoreset
Reverse Polarity Protection	Yes
Impulsive Overvoltage Protection	Yes

Mechanical data

Dimensions	M30 / L = 79mm
Mounting	Shielded

Housing material	Polyester
Weight	100g
Connections	M12 plug
Active Head Material	Polyester
Tightening torque	50Nm
Operating temperature	-25°C...+80°C (without freeze)
Storage temperature	-40°C...+85°C
Diameter/Dimension	M30

Test/Approvals

Approvals	CE cULus
EMC compatibility	IEC 60947-5-2
Shocks and vibrations	Vibration IEC 60068-2-6 / Shock IEC 60068-2-27
Degree of protection	IP67

Accessories

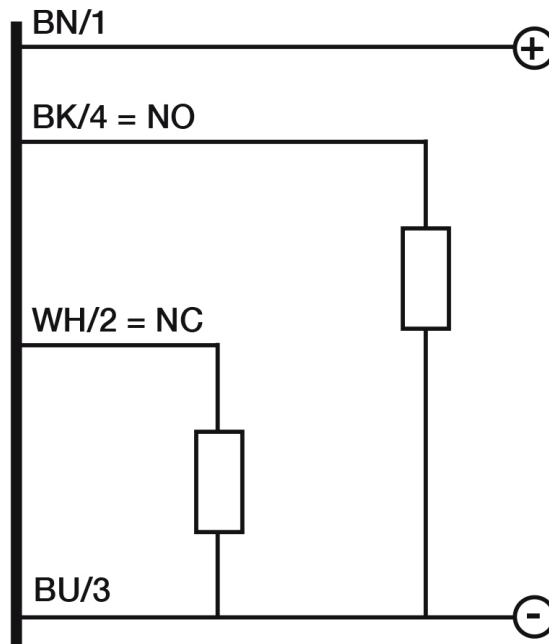
Supplied Accessories	screw driver, 2 x M30 nuts
----------------------	----------------------------

Generical Data

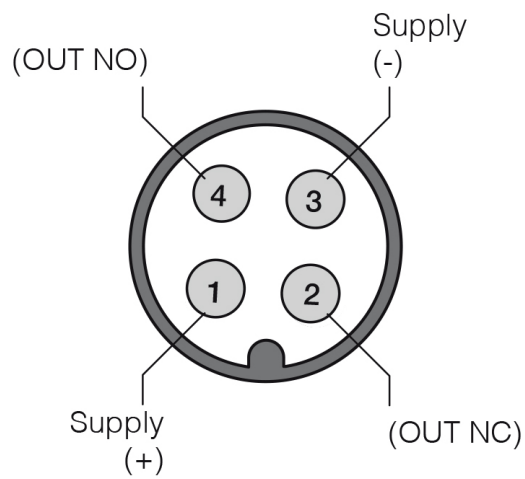
Dimensions	M30 / L = 79mm
Operating Temperature	-25°C...+80°C (without freeze)

CONNECTIONS

Electrical diagram

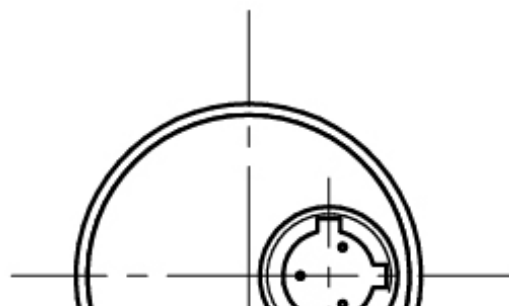
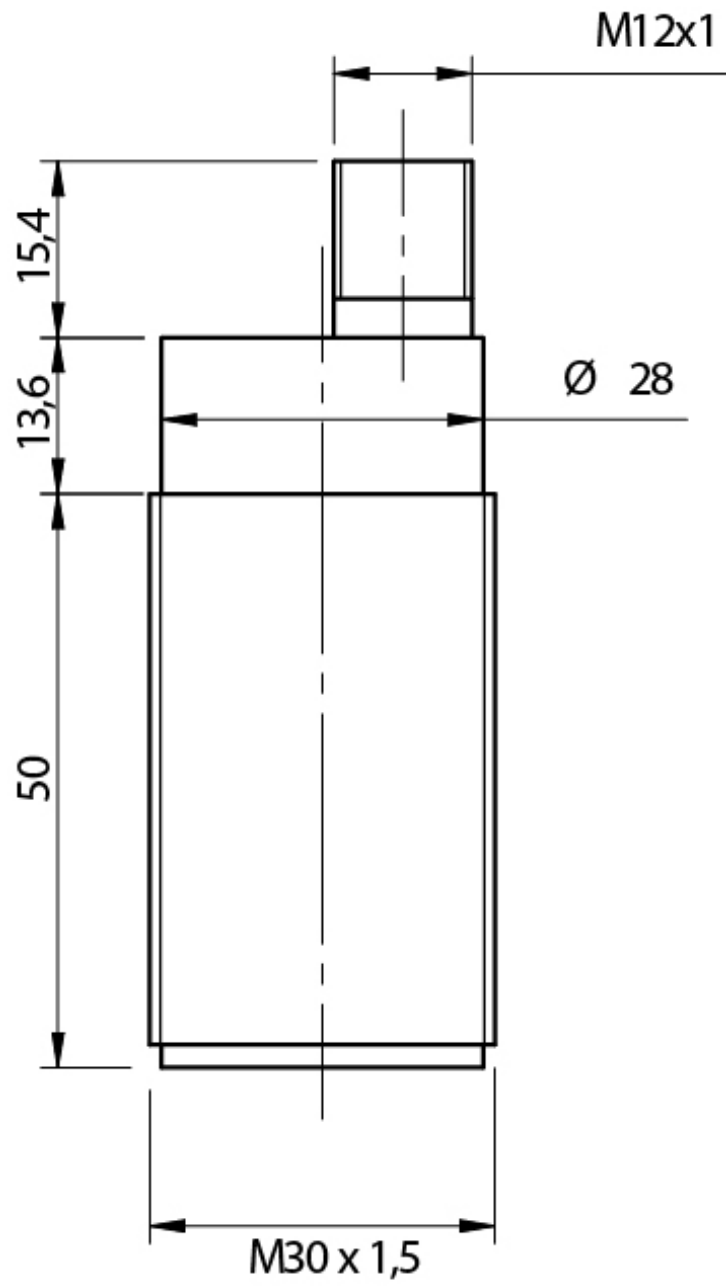


Connector



OTHERS

Dimensions





**Datasensing
S.r.l.**

Strada S.Caterina, 235
41122 Modena (MO)
Tel. 059 420411
Fax 059 253973
E-mail
info@datasensing.com

**date of
printing**
13/06/2026
11:51:58