



# C30

## C30P/00-2E

Cap.M30, AC-NO/NC,1/2"-20UNF,Nsch-LD  
M30 CYLINDRICAL CAPACITIVE SENSORS

## OVERVIEW

- DC or AC supply voltage
- High noise immunity
- Shielded and unshielded models
- Adjustable sensitivity
- Metallic or plastic housing



## TECHNICAL FEATURES

### Detection properties

Nominal sensing distance	4...25mm
Thermal drift of Sr	< 20%
Repeat Accuracy	5%
Sensitivity adjustment	Yes
Hysteresis	≤ 20%

## Outputs

Output type	SCR
Output Function	NO/NC
Switching frequency	10Hz

## Electrical data

Operating Voltage	20...250Vac/50-60Hz
No-Load supply current	$\leq 12\text{mA}$
Load current	2,5A max (20ms)
Leakage current	$\leq 100\mu\text{A}$
Output voltage drop	10VAC @ $I_L \geq 200\text{mA}$
Max ripple content	$\leq 10\%$
LED indicators	Yellow LED (object detected)
Time delay before availability	$\leq 200\text{ms}$
Short-circuit protection	Yes, autoreset
Reverse Polarity Protection	Yes
Impulsive Overvoltage Protection	Yes

## Mechanical data

Dimensions	M30 / L = 91mm
Mounting	Unshielded

Housing material	Polyester
Weight	100g
Connections	M12 plug
Active Head Material	Polyester
Tightening torque	50Nm
Operating temperature	-25°C...+80°C (without freeze)
Storage temperature	-40°C...+85°C
Diameter/Dimension	M30

#### Test/Approvals

Approvals	CE cULus
EMC compatibility	IEC 60947-5-2
Shocks and vibrations	Vibration IEC 60068-2-6 / Shock IEC 60068-2-27
Degree of protection	IP67

#### Accessories

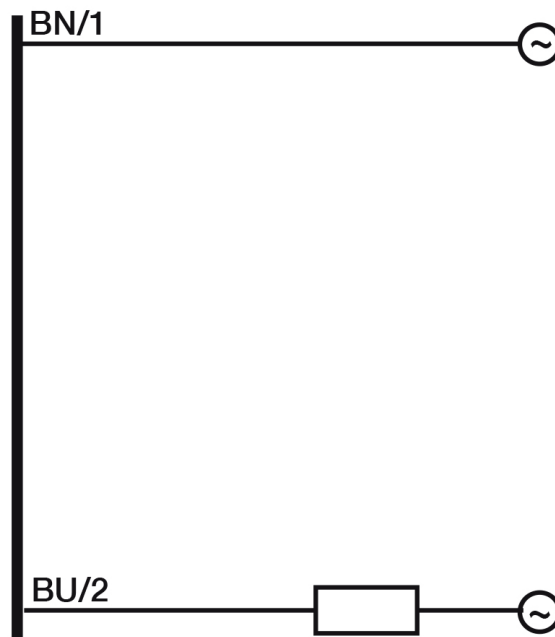
Supplied Accessories	screw driver, 2 x M30 nuts
----------------------	----------------------------

#### Generical Data

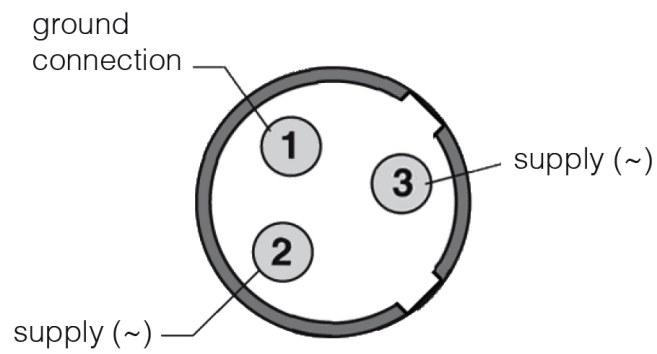
Dimensions	M30 / L = 91mm
Operating Temperature	-25°C...+80°C (without freeze)

# CONNECTIONS

Electrical diagram

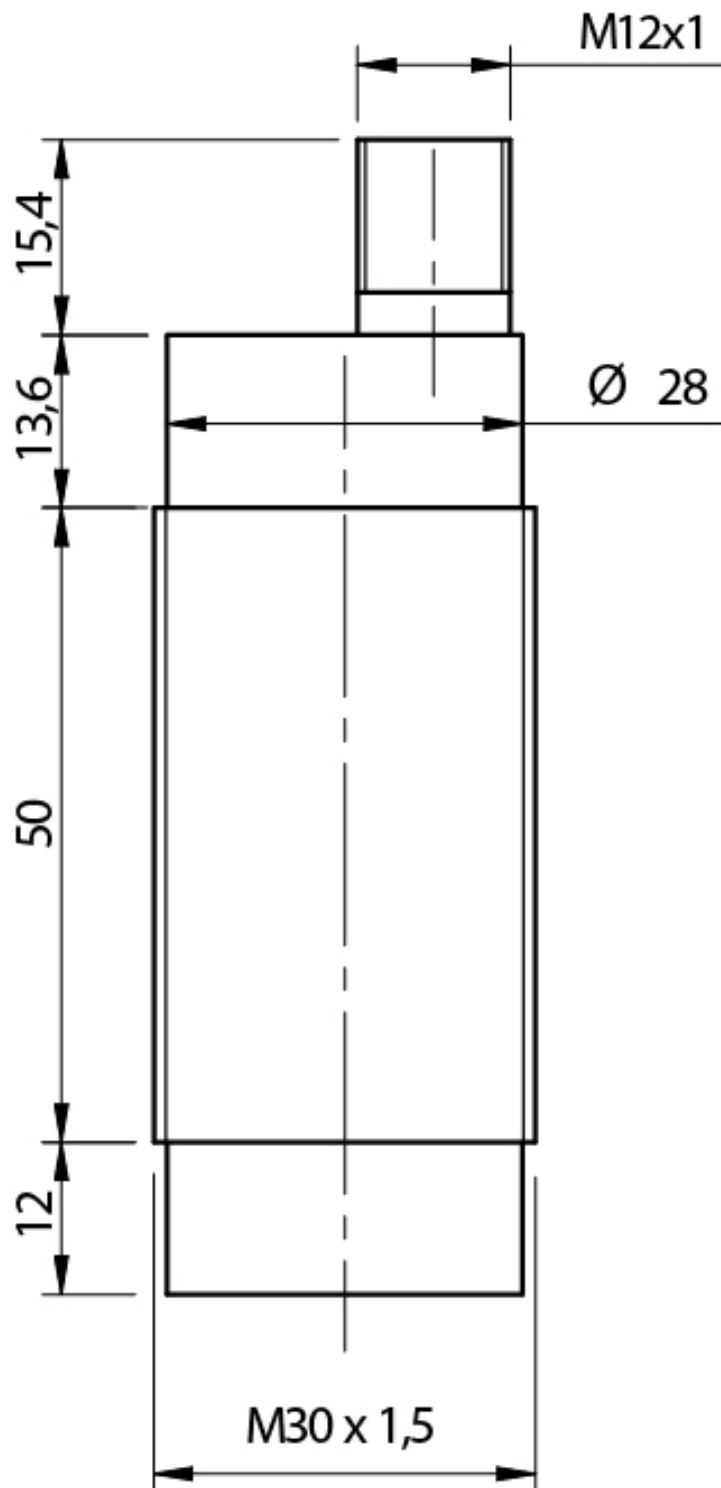


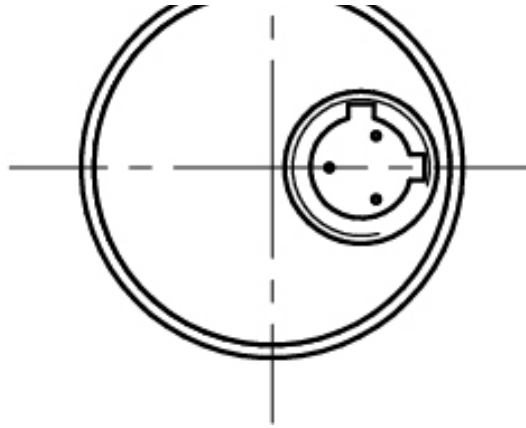
Connector



# OTHERS

Dimensions





**Datasensing  
S.r.l.**

Strada S.Caterina, 235  
41122 Modena (MO)  
Tel. 059 420411  
Fax 059 253973  
E-mail  
info@datasensing.com

**date of  
printing**

19/06/2026  
07:46:06