



# CE

## CE1/0P-1E

Cap.d20,PNP-NO+NC,M12 plug,Sch-STD  
Ø 20 MM CYLINDRICAL CAPACITIVE SENSORS

## OVERVIEW

- Models with or without self-monitoring
- Sensitivity adjustment with trimmer
- NO+NC complementary output
- Stainless steel housing
- IP65 protection degree
- Complete protection against electrical damages
- Axial cable exit or M12 plastic plug cable exit

# CE

## TECHNICAL FEATURES

### Detection properties

Nominal sensing distance	1,5...10mm
Thermal drift of Sr	< 20%
Repeat Accuracy	5%
Sensitivity adjustment	Yes
Hysteresis	≤ 20%

## Outputs

Output type	PNP
-------------	-----

Output Function	NO + NC
-----------------	---------

Switching frequency	300Hz
---------------------	-------

## Electrical data

Operating Voltage	10..30Vdc
-------------------	-----------

No-Load supply current	$\leq 17\text{mA}$
------------------------	--------------------

Load current	$\leq 100\text{mA}$
--------------	---------------------

Leakage current	$\leq 1\mu\text{A}$
-----------------	---------------------

Output voltage drop	1,5V - max. $I_L=100\text{mA}$
---------------------	--------------------------------

Max ripple content	$\leq 15\%$
--------------------	-------------

LED indicators	Yellow LED (object detected)
----------------	------------------------------

Time delay before availability	$\leq 200\text{ms}$
--------------------------------	---------------------

Short-circuit protection	Yes, autoreset
--------------------------	----------------

Reverse Polarity Protection	Yes
-----------------------------	-----

Impulsive Overvoltage Protection	Yes
----------------------------------	-----

## Mechanical data

Dimensions	$\varnothing 20 / L = 92\text{mm}$
------------	------------------------------------

Mounting	Shielded
Housing material	AISI 303 Stainless Steel
Weight	80g
Connections	M12 plug
Active Head Material	LCP
Operating temperature	-25°C...+70°C
Diameter/Dimension	ø20

#### Test/Approvals

Approvals	CE cULus
EMC compatibility	IEC 60947-5-2
Shocks and vibrations	Vibration IEC 60068-2-6 / Shock IEC 60068-2-27
Degree of protection	IP65

#### Accessories

Supplied Accessories	screw driver
----------------------	--------------

#### Generical Data

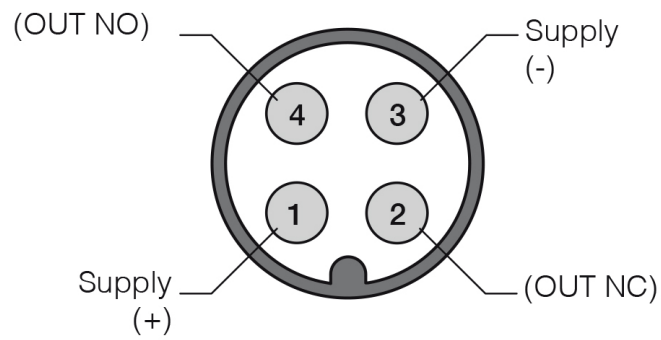
Dimensions	ø20 / L = 92mm
Operating Temperature	-25°C...+70°C (without freeze)
Mechanical Protection	IP65

# CONNECTIONS

Electrical diagram

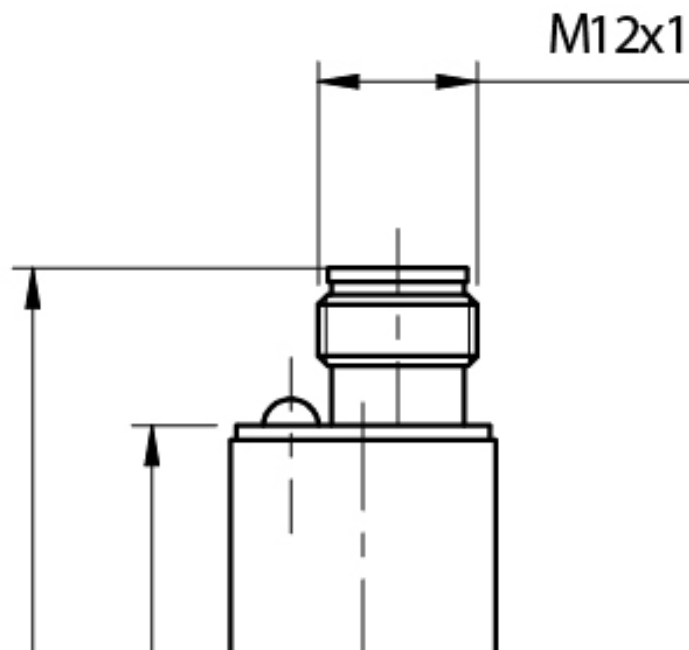
Image:

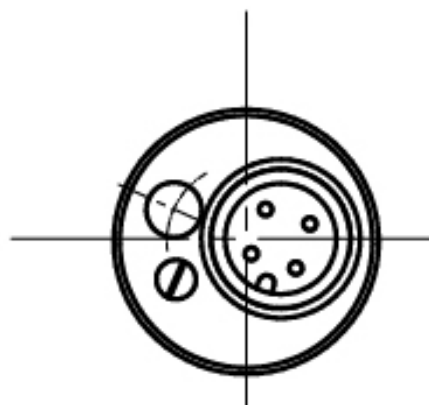
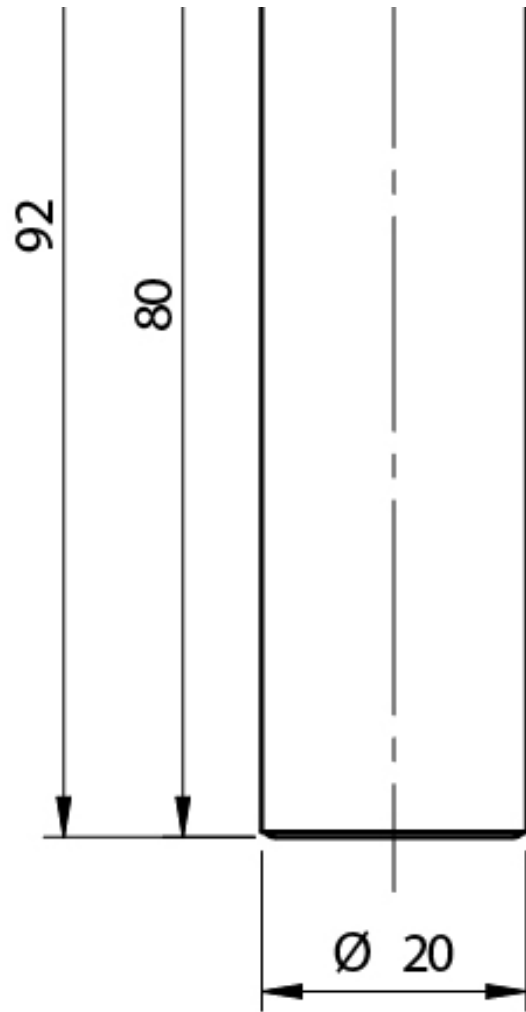
Connector



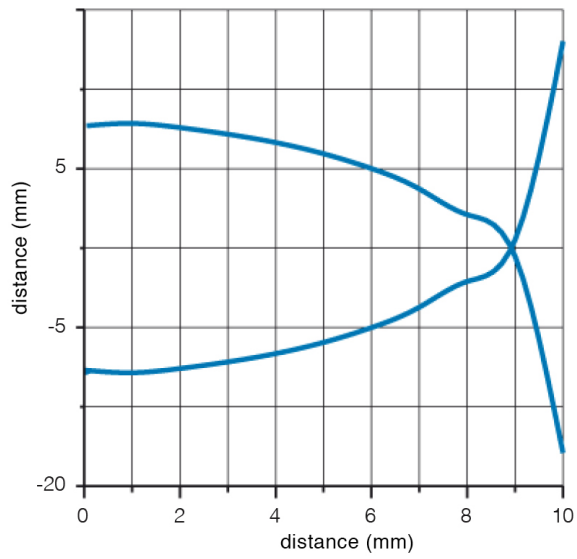
# OTHERS

Dimensions





Response curves



**Datasensing  
S.r.l.**

Strada S.Caterina, 235  
41122 Modena (MO)  
Tel. 059 420411  
Fax 059 253973  
E-mail  
info@datasensing.com

**date of  
printing**  
19/06/2026  
11:55:43