

Output type	PNP
Output Function	NO + NC
Switching frequency	50Hz

Electrical data

Operating Voltage	10...40Vdc
No-Load supply current	$\leq 10\text{mA}$
Load current	$\leq 200\text{mA}$
Leakage current	$\leq 10\mu\text{A}$
Output voltage drop	2,5Vmax @IL=200mA
Max ripple content	$\leq 10\%$
LED indicators	Yellow LED (object detected)
Time delay before availability	$\leq 100\text{ms}$
Short-circuit protection	Yes, autoreset
Reverse Polarity Protection	Yes
Impulsive Overvoltage Protection	Yes

Mechanical data

Mounting	Shielded/Unshielded
Dimensions	55x35x15mm

Weight	150g
Housing Material	PC
Connections	2m PVC cable
Active Head Material	PC
Operating temperature	-25°C...+80°C (without freeze)
Storage temperature	-40°C...+85°C
Diameter/Dimension	55x35x15mm

Test/Approvals

Approvals	CE cULus
EMC compatibility	IEC 60947-5-2
Degree of protection	IP67

Accessories

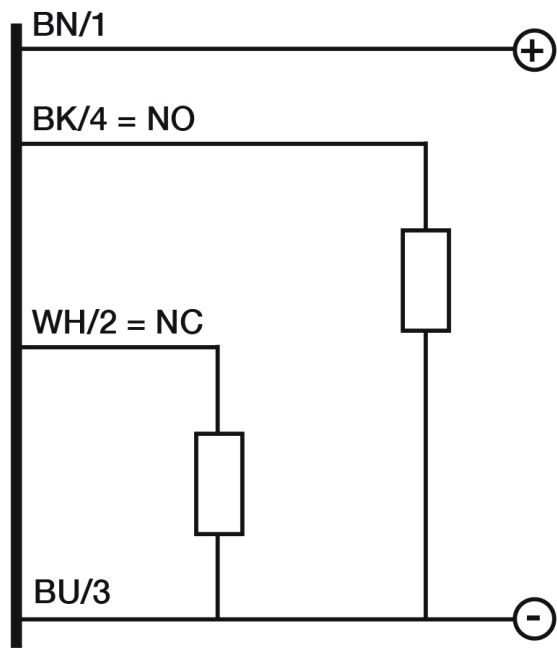
Supplied Accessories	screw driver
----------------------	--------------

Generical Data

Dimensions	55x35x15mm
Operating Temperature	-25°C...+80°C (without freeze)
Mechanical Protection	IP67

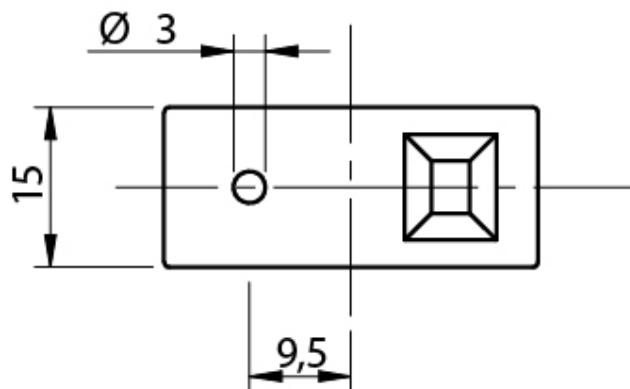
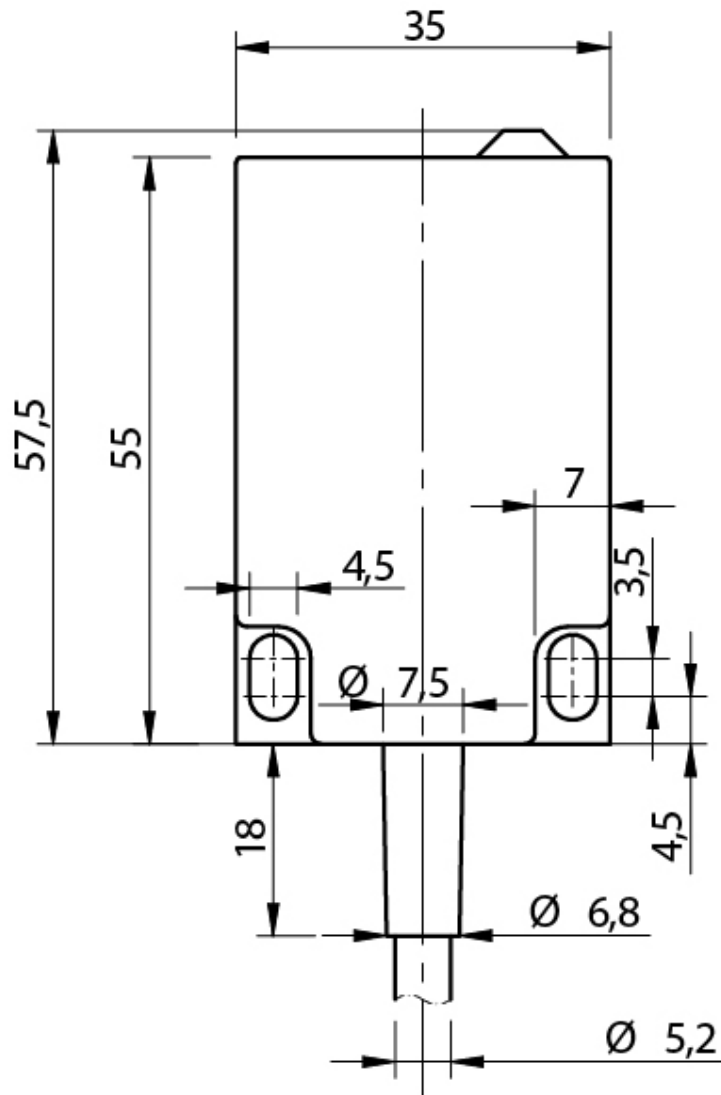
CONNECTIONS

Electrical diagram



OTHERS

Dimensions



**Datasensing
S.r.l.**

Strada S.Caterina, 235
41122 Modena (MO)

**date of
printing**
19/04/2026
19:46:33

Tel. 059 420411
Fax 059 253973
E-mail
info@datasensing.com