



# CQ55

## CQ55/BN-3E

Cap.35x57x15,NPN-NO+NC,M12  
plug,Sch/Nsch-LD

15 X 35 X 55 MM CUBIC CAPACITIVE SENSORS

## OVERVIEW

- DC supply voltage
- Adjustable sensitivity
- Flat polycarbonate plastic housing



## TECHNICAL FEATURES

### Detection properties

Nominal sensing distance	4...25mm
Thermal drift of Sr	< 20%
Repeat Accuracy	5%
Sensitivity adjustment	Yes
Hysteresis	$\leq 20\%$

### Outputs

Output type	NPN
Output Function	NO + NC
Switching frequency	50Hz

#### Electrical data

Operating Voltage	10...40Vdc
No-Load supply current	$\leq 10\text{mA}$
Load current	$\leq 200\text{mA}$
Leakage current	$\leq 10\mu\text{A}$
Output voltage drop	2,5Vmax @IL=200mA
Max ripple content	$\leq 10\%$
LED indicators	Yellow LED (object detected)
Time delay before availability	$\leq 100\text{ms}$
Short-circuit protection	Yes, autoreset
Reverse Polarity Protection	Yes
Impulsive Overvoltage Protection	Yes

#### Mechanical data

Dimensions	55x35x15mm
Mounting	Shielded/Unshielded

Housing material	PC
Weight	65g
Connections	M12 plug
Active Head Material	PC
Operating temperature	-25°C...+80°C (without freeze)
Storage temperature	-40°C...+85°C
Diameter/Dimension	55x35x15mm

#### Test/Approvals

Approvals	CE cULus
EMC compatibility	IEC 60947-5-2
Degree of protection	IP67

#### Accessories

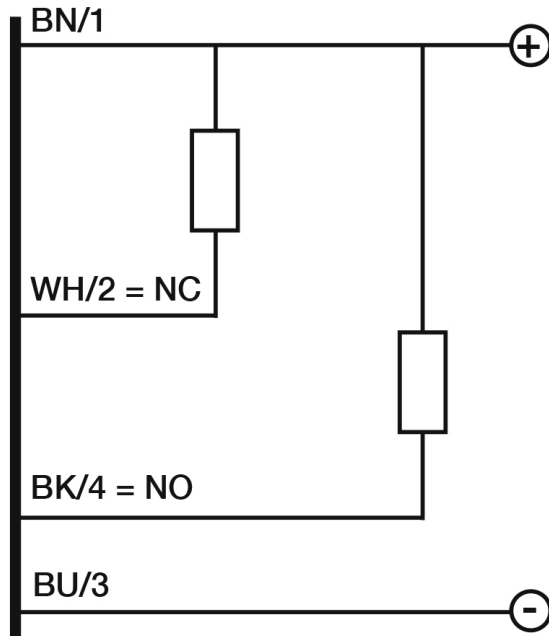
Supplied Accessories	screw driver
----------------------	--------------

#### Generical Data

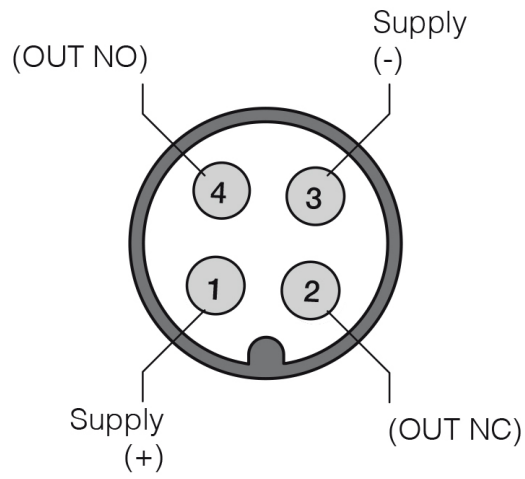
Dimensions	55x35x15mm
Operating Temperature	-25°C...+80°C (without freeze)
Mechanical Protection	IP67

# CONNECTIONS

### Eletrical diagram

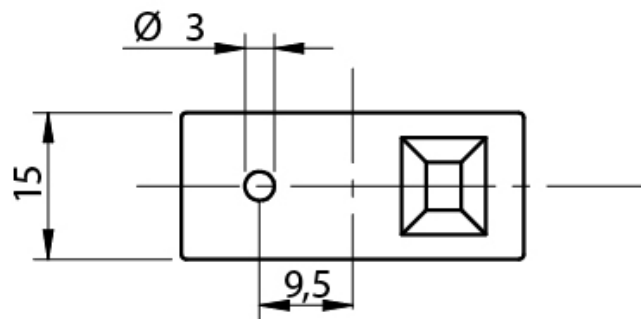
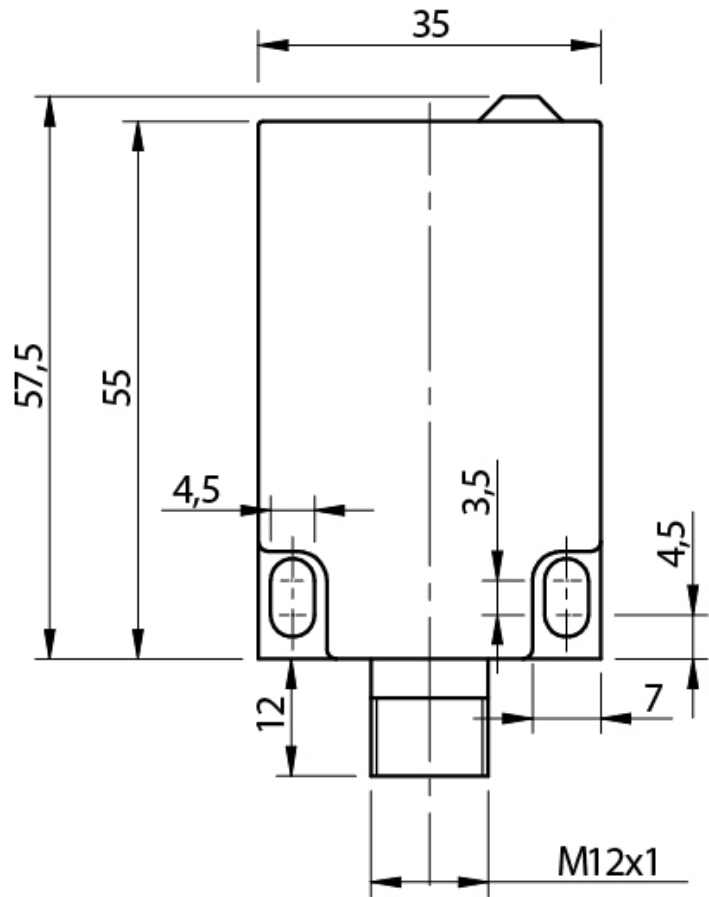


### Connector



# OTHERS

### Dimensions



**Datasensing  
S.r.l.**

Strada S.Caterina, 235  
41122 Modena (MO)  
Tel. 059 420411  
Fax 059 253973  
E-mail  
info@datasensing.com

**date of  
printing**  
13/06/2026  
11:46:28