



CQ50

CQ50/CN-3A

Cap.30x50x7,NPN-NC,Cable,Sch-STD
7 X 30 X 50 MM CUBIC CAPACITIVE SENSORS

OVERVIEW

- DC supply voltage
- No adjustable sensitivity
- Flat polycarbonate plastic housing



TECHNICAL FEATURES

Detection properties

Nominal sensing distance	7mm
Thermal drift of Sr	< 20%
Repeat Accuracy	5%
Sensitivity adjustment	NO
Hysteresis	$\leq 20\%$

Outputs

Output type	NPN
Output Function	NC
Switching frequency	10Hz

Electrical data

Operating Voltage	10..30Vdc
No-Load supply current	$\leq 10\text{mA}$
Load current	$\leq 50\text{mA}$
Leakage current	$\leq 100\mu\text{A}$
Output voltage drop	1,5Vmax @ IL=50mA
Max ripple content	$\leq 10\%$
Time delay before availability	$\leq 100\text{ms}$
Short-circuit protection	Yes, autoreset
Reverse Polarity Protection	Yes
Impulsive Overvoltage Protection	Yes

Mechanical data

Mounting	Shielded
Dimensions	50x30x7mm
Weight	70g
Housing Material	noryl

Connections	2m PVC cable
Active Head Material	noryl
Operating temperature	0...60°C (without freeze)
Storage temperature	-30°C...+75°C
Diameter/Dimension	50x30x7mm

Test/Approvals

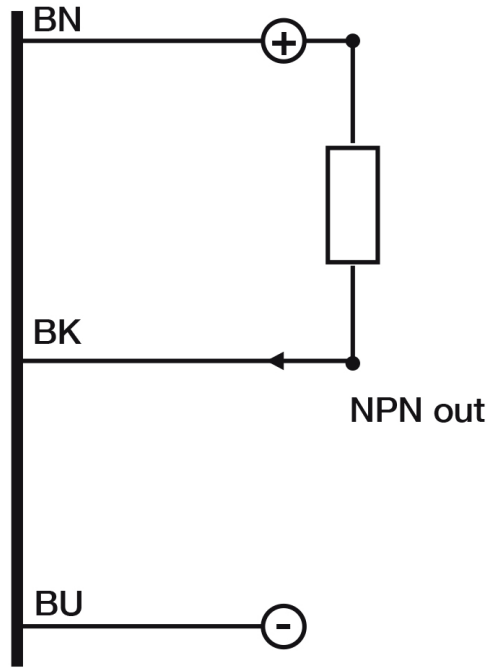
Approvals	CE
EMC compatibility	IEC 60947-5-2
Degree of protection	IP67

Generical Data

Dimensions	50x30x7mm
Operating Temperature	0...60°C (without freeze)
Mechanical Protection	IP67

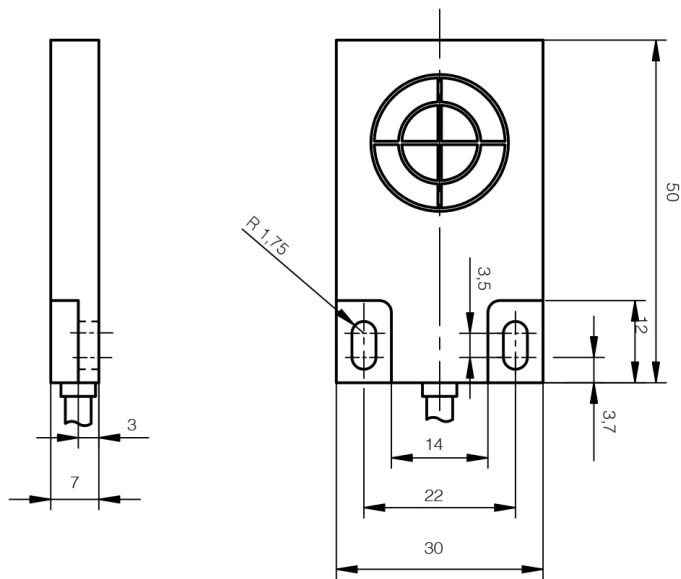
CONNECTIONS

Eletrical diagram



OTHERS

Dimensions



Tel. 059 420411
Fax 059 253973
E-mail
info@datasensing.com