



# CQ50

## CQ50/AN-2A

Cap.30x50x7,NPN-NO,Cable,Sch-STD  
7 X 30 X 50 MM CUBIC CAPACITIVE SENSORS

## OVERVIEW

- DC supply voltage
- No adjustable sensitivity
- Flat polycarbonate plastic housing



## TECHNICAL FEATURES

### Detection properties

Nominal sensing distance	6mm
Thermal drift of Sr	< 20%
Repeat Accuracy	5%
Sensitivity adjustment	NO
Hysteresis	$\leq 20\%$

### Outputs

Output type	NPN
Output Function	NO
Switching frequency	10Hz

#### Electrical data

Operating Voltage	10..30Vdc
No-Load supply current	$\leq 10\text{mA}$
Load current	$\leq 50\text{mA}$
Leakage current	$\leq 100\mu\text{A}$
Output voltage drop	1,5Vmax @ IL=50mA
Max ripple content	$\leq 10\%$
Time delay before availability	$\leq 100\text{ms}$
Short-circuit protection	Yes, autoreset
Reverse Polarity Protection	Yes
Impulsive Overvoltage Protection	Yes

#### Mechanical data

Dimensions	50x30x7mm
Mounting	Shielded
Housing material	noryl
Weight	70g

Connections	2m PVC cable
Active Head Material	noryl
Operating temperature	0...60°C (without freeze)
Storage temperature	-30°C...+75°C
Diameter/Dimension	50x30x7mm

#### Test/Approvals

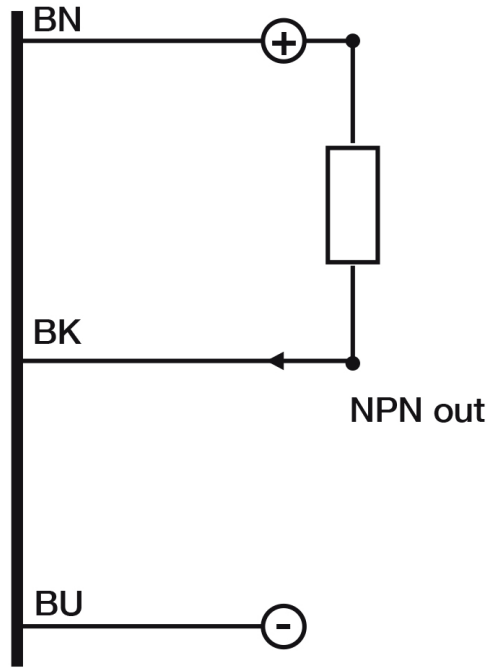
Approvals	CE
EMC compatibility	IEC 60947-5-2
Degree of protection	IP67

#### Generical Data

Dimensions	50x30x7mm
Operating Temperature	0...60°C (without freeze)
Mechanical Protection	IP67

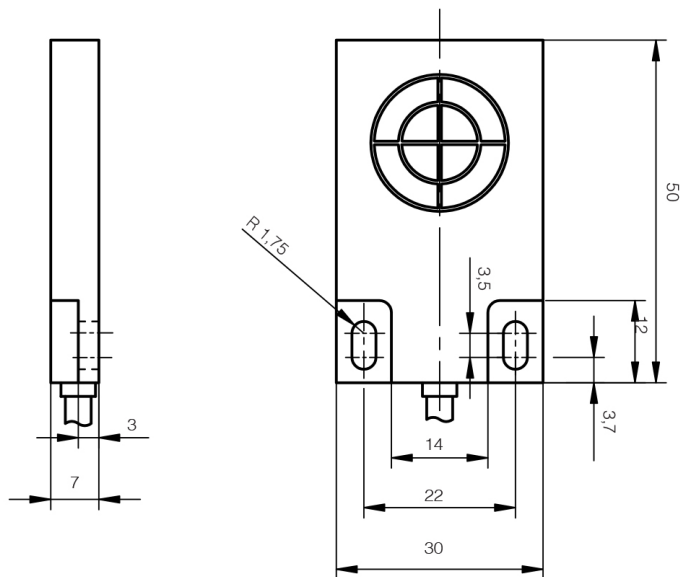
# CONNECTIONS

Eletrical diagram



# OTHERS

## Dimensions



Tel. 059 420411  
Fax 059 253973  
E-mail  
[info@datasensing.com](mailto:info@datasensing.com)