



CX2

CX2E0RA/10-064V

Area Sen, H=640mm-10mm pitch,E+R,I+V
AREA SENSORS WITH HIGH RESOLUTION AND COMPACT
HOUSING WITH DIGITAL AND ANALOGUE OUTPUT

OVERVIEW

- Parallel beams and floating crossbeams with variable amplitude
- Synchronization by cable. Pitch 5, 10 and 20mm
- Control height up 480mm (pitch 5mm) and up 960mm (pitch 10mm and 20mm)
- Maximum operating distance up to 3m (for 5mm pitch) and 6m (for 10mm and 20 pitch)
- Digital outputs NPN and PNP ; analogue current output (4...20mA) and analogue voltage output (0..10V), mix outputs : digital PNP and analogue voltage output (0..10V)
- Adjustment by teach-in , 2 levels of adjustment
- Blanking function . Available analogue versions TOP BEAM



TECHNICAL FEATURES

Detection properties

Nominal sensing distance	0,3 ... 6m
--------------------------	------------

Beams space	10mm
-------------	------

controlled height	640mm
-------------------	-------

minimum detectable object	Ø 10mm
---------------------------	--------

number of rays	65
----------------	----

Sensitivity adjustment	Teach-in by wire
------------------------	------------------

Application

Function Principle	emitter/receiver
--------------------	------------------

Outputs

Output type	0,,10V + 4,,20mA
-------------	------------------

Output Function	positive/negative slope
-----------------	-------------------------

Switching frequency	18,1Hz
---------------------	--------

Electrical data

Operating Voltage	16,8... 30Vdc
-------------------	---------------

No-Load supply current	$\leq 330\text{mA}$
------------------------	---------------------

Load current	$< 100\text{mA}$
--------------	------------------

Leakage current	$\leq 10\mu\text{A}$
-----------------	----------------------

Output voltage drop	$< 1,5\text{V @ } 100\text{mA}$
---------------------	---------------------------------

Max ripple content	$< 1,2\text{Vpp}$
--------------------	-------------------

LED indicators	Blue, red and yellow (emitter) - green, red and yellow (receiver)
----------------	---

Time delay before availability	$< 3\text{s}$
--------------------------------	---------------

Short-circuit protection	Yes
--------------------------	-----

Reverse Polarity Protection	Yes
-----------------------------	-----

Emission	Infrared (880nm)
Interference to external light	IEC EN 60947-5-2
Impulsive Overvoltage Protection	Yes

Mechanical data

Dimensions	20mm x 649mm x 35mm
Housing material	Aluminium
Weight	1500g
Connections	M12 4pin + cable PVC 200mm ; M12 8pin + cable PVC 200mm
Active Head Material	PMMA
Operating temperature	-10°C...+ 55° C (without freeze)
Storage temperature	- 25°C...+ 60° C (without freeze)

Test/Approvals

Approvals	CE, cULus
EMC compatibility	IEC 60947-5-2
Shocks and vibrations	IEC EN 60947-5-2
Degree of protection	IP67

Accessories

Supplied Accessories	ST151 fixing kit
----------------------	------------------

Generical Data

Dimensions

649x36x20

Operating Temperature

-10°C...+ 55° C (without freeze)

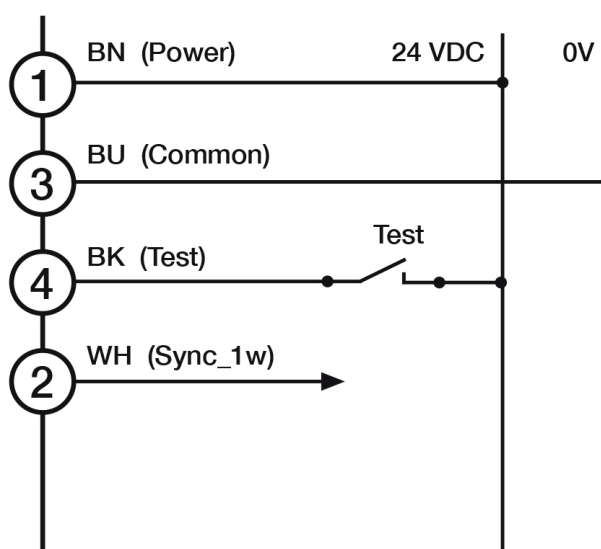
Mechanical Protection

IP67

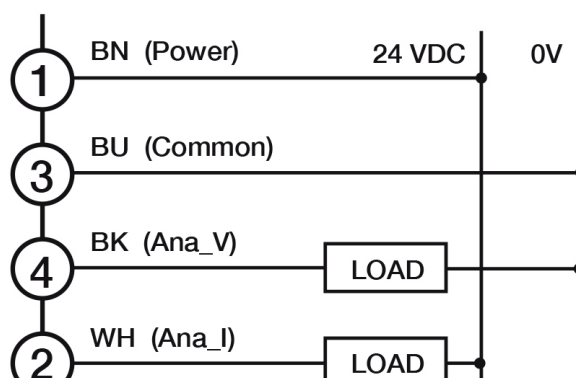
CONNECTIONS

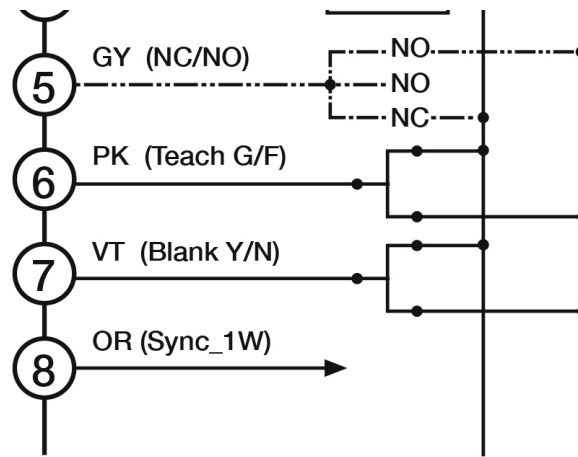
Electrical diagram

CX2E0



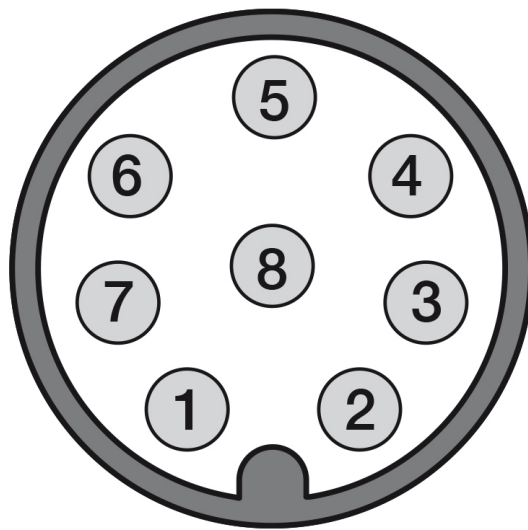
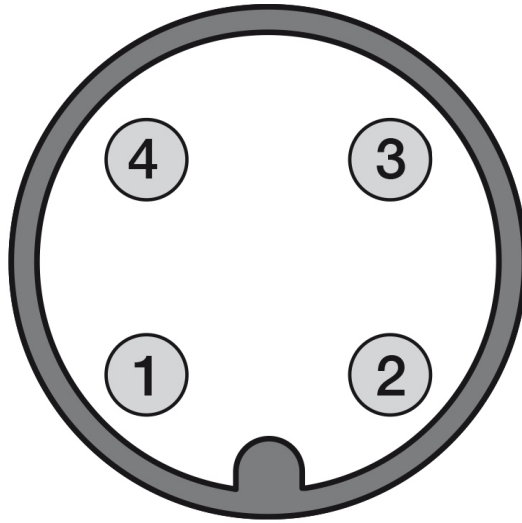
CX2RA





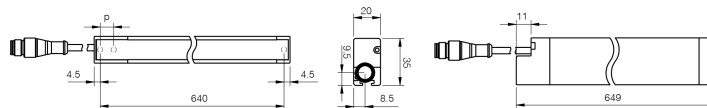
G	coarse calibration	F	fine calibration
BK	black	BU	blue
BN	brown	GY	gray
RD	red	WH	white
PK	pink	VT	violet
OR	orange		

Connector



OTHERS

Dimensions



$$H (\text{barrier height}) = h (\text{controlled height}) + 9 \text{ mm}$$

**Datasensing
S.r.l.**

Strada S.Caterina, 235
41122 Modena (MO)
Tel. 059 420411
Fax 059 253973
E-mail
info@datasensing.com

**date of
printing**
29/05/2026
19:50:57