



# CR

## CR2/0B-1V

Area Sen, H=309mm-10mm pitch, Reflex  
RETROREFLECTIVE POLARIZED AREA SENSORS

## OVERVIEW

- Area height controlled 309 mm
- Maximum orwearive distance up 4,5m
- Two teach-in types: fine and standard
- Optical pitch 10mm
- Protection degree IP67
- Blanking function



## TECHNICAL FEATURES

Detection properties

Nominal sensing distance	0.2...13 m
--------------------------	------------

Thermal drift of Sr	≤10%
---------------------	------

Beams space	25 mm
controlled height	3000 mm
minimum detectable object	Ø 3...10mm @ 2m RL136 - Ø 3...20mm @ 4,5m RL136
number of rays	120
Sensitivity adjustment	Teach in: fine < 3s; standard > 6s

## Application

Function Principle	Retroreflective polarized area sensor
--------------------	---------------------------------------

## Outputs

Output type	PNP or NPN or Push-Pull , 0...10 V, 4..20 mA, IO-Link, Ethernet TCP/IP
Output Function	Light array for detection and measurement
Switching frequency	190Hz

## Electrical data

Operating Voltage	12...30VDC
No-Load supply current	150mA
Load current	160mA
Leakage current	100 mA
Output voltage drop	1,6Vdc @ 100mA
Max ripple content	≤ 10%

LED indicators	green: power supply-alignment; red: dark/light status
Time delay before availability	4.60 s
Short-circuit protection	Yes
Reverse Polarity Protection	Yes
Emission	Infrared (850 nm) Emitter + Receiver
Interference to external light	5000lux (fluorescent lamp); 50000lux (sunlight)
Impulsive Overvoltage Protection	Yes

#### Mechanical data

Weight	1.4 Kg/m (single bar, without package)
Housing Material	Aluminium
Connections	M12 5 poles + 200 mm length cable TPU (TX), M12 8 poles + 200 mm length cable TPU (RX), M12 4 poles D code + 150 mm length cable TPU (ETH)
Active Head Material	PMMA

#### Test/Approvals

Approvals	CE, cULus,UKCA
EMC compatibility	EN 60947-5-2
Shocks and vibrations	10 mm / 3g, 5 ... 150 Hz frequency, (EN 60068-2-6 / Class 3M7 IEC TR 60721-4-3); 25g x 6 ms x 600 (EN 60068-2-27 / Class 3M7 IEC TR 60721-4-3)

#### Accessories

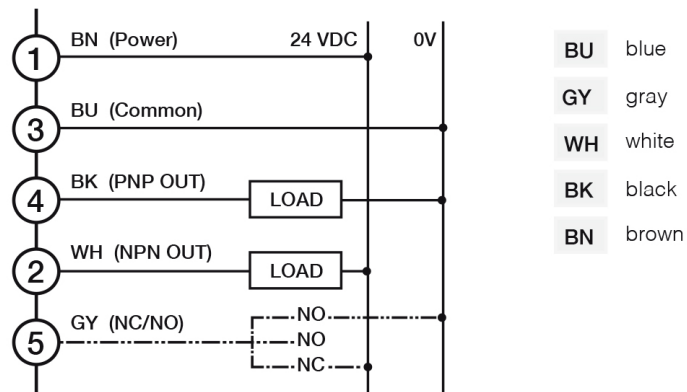
Supplied Accessories	Fixing brackets
----------------------	-----------------

## Generical Data

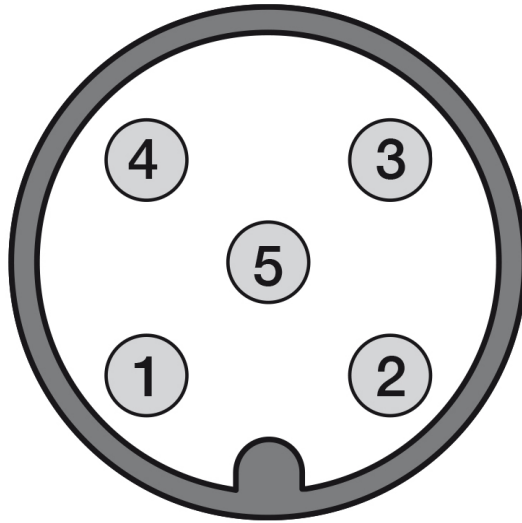
Dimensions	35 x 40 x 3009
Operating Temperature	-30...+50°C (without freeze)
Mechanical Protection	IP65 IP67

# CONNECTIONS

## Electrical diagram

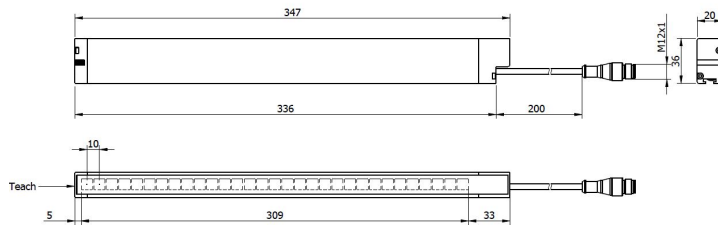


## Connector



## OTHERS

### Dimensions



### Datasensing S.r.l.

Strada S.Caterina, 235  
41122 Modena (MO)  
Tel. 059 420411  
Fax 059 253973  
E-mail  
info@datasensing.com

date of  
printing  
05/08/2025  
09:55:16