



CR

CR1/BP-1V

Area Sen, H=149mm-10mm pitch, Reflex
RETROREFLECTIVE POLARIZED AREA SENSORS

OVERVIEW

- Area height controlled 149 mm
- Maximum operative distance up to 4.5 m
- Minimum object detection diam. 6mm
- Two teach-in types: fine and standard
- Optical pitch 10mm
- Protection degree IP67
- Blanking function



TECHNICAL FEATURES

Detection properties

Nominal sensing distance	0,2 ... 4,5m (with RL136)
Thermal drift of Sr	≤10%
Beams space	10mm
controlled height	149mm
minimum detectable object	Ø 3...10mm @ 2m RL136 - Ø 3...20mm @ 4,5m RL136

number of rays	14
----------------	----

Sensitivity adjustment	Teach in: fine < 3s; standard > 6s
------------------------	------------------------------------

Application

Function Principle	Retroreflective polarized area sensor
--------------------	---------------------------------------

Outputs

Output type	PNP
-------------	-----

Output Function	NO+NC
-----------------	-------

Switching frequency	320Hz
---------------------	-------

Electrical data

Operating Voltage	12...30VDC
-------------------	------------

No-Load supply current	135mA
------------------------	-------

Load current	160mA
--------------	-------

Leakage current	$\leq 1\mu\text{A}$
-----------------	---------------------

Output voltage drop	1,6Vdc @ 100mA
---------------------	----------------

Max ripple content	$\leq 10\%$
--------------------	-------------

LED indicators	green: power supply-alignment; red: dark/light status
----------------	---

Time delay before availability	< 700ms
--------------------------------	---------

Short-circuit protection	Yes (autoreset)
--------------------------	-----------------

Reverse Polarity Protection	Yes
Emission	Red (617nm)
Interference to external light	5000lux (fluorescent lamp); 50000lux (sunlight)
Impulsive Overvoltage Protection	Yes

Mechanical data

Dimensions	187mm x 20mm x 36mm
Housing material	Aluminim
Weight	170g
Connections	M12 4pin + cable PVC 200mm
Active Head Material	PMMA
Operating temperature	-10°C...+ 55° C (no condensation)

Test/Approvals

Approvals	CE, cULus,UKCA
EMC compatibility	EN 60947-5-2
Shocks and vibrations	IEC EN 60947-5-2 / 7.4
Degree of protection	IP67

Accessories

Supplied Accessories	RL136 reflector + fixing kit (ST151)
----------------------	--------------------------------------

Generical Data

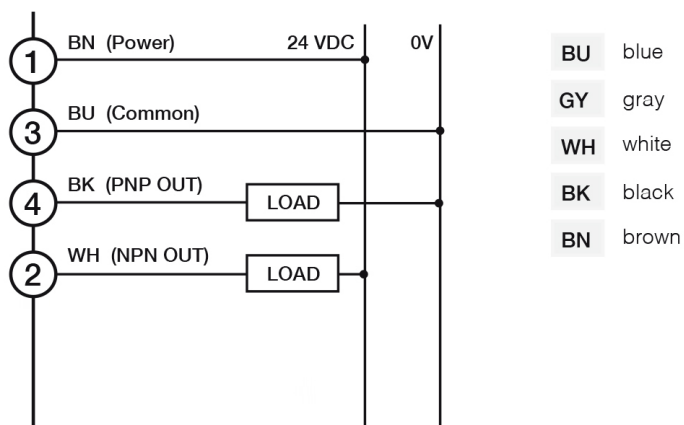
Dimensions 187x20x36

Operating Temperature $-10^{\circ}\text{C} \dots + 55^{\circ}\text{C}$ (without freeze)

Mechanical Protection IP67

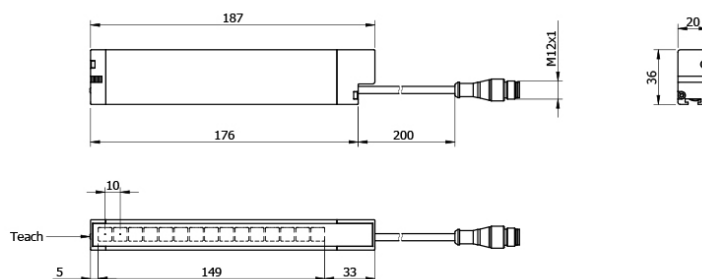
CONNECTIONS

Electrical diagram



OTHERS

Dimensions



Datasensing
S.r.l.

Strada S.Caterina, 235
41122 Modena (MO)
Tel. 059 420411
Fax 059 253973
E-mail
info@datasensing.com

date of
printing
12/06/2026
04:30:54