



BX04-BX10

BX10SR/0A-HB

Area Sen, H=90mm-10mm pitch,E+R
MEDIUM RESOLUTION AREA SENSORS

OVERVIEW

- IP67 protection degree (IP69K special model)
- Complete protection against electrical damages
- Detection of objects with irregular shape
- ATEX models, cat. 2 and cat. 3, available on request
- LED indicators
- Crossed beams detection



TECHNICAL FEATURES

Detection properties

Nominal sensing distance	0,3 ... 2m
Thermal drift of Sr	≤10%
Beams space	10mm
controlled height	90mm
minimum detectable object	Ø 5mm

number of rays	10
----------------	----

Sensitivity adjustment	Trimmer
------------------------	---------

Application

Function Principle	Emitter- Receiver
--------------------	-------------------

Emitter/Receiver Code	BX10SR/0A-HB
-----------------------	--------------

Emitter Code	BX10S/00-HB
--------------	-------------

Receiver Code	BX10R/AD-HB
---------------	-------------

Outputs

Output type	NPN + PNP
-------------	-----------

Output Function	NO
-----------------	----

Switching frequency	180Hz
---------------------	-------

Response time for light/dark transition	500 μ s
---	-------------

Response time for dark/light transition	5ms
---	-----

Electrical data

Operating Voltage	10...26VDC
-------------------	------------

No-Load supply current	75mA
------------------------	------

Load current	\leq 100mA
--------------	--------------

Leakage current	10 μ A
-----------------	------------

Output voltage drop	$\leq 2V$ Iload = 100mA
Max ripple content	$\leq 10\%$
LED indicators	Emitter: Green (powerON) Receiver: Yellow (output state) Red (alineament)
Time delay before availability	$\leq 85ms$
Short-circuit protection	autoreset
Reverse Polarity Protection	Yes
Emission	Infrared
Interference to external light	1000lux (incandescent lamp), 1500lux (sunlight)
Impulsive Overvoltage Protection	Yes

Mechanical data

Dimensions	45mm x 145mm x 20mm
Housing material	PBT
Weight	115g
Connections	M12 Plug
Active Head Material	PC
Tightening torque	25Nm
Operating temperature	0°C...+ 50° C (without freeze)

Test/Approvals

Approvals	CE cULus
-----------	----------

EMC compatibility	EN 60947-5-2
Degree of protection	IP67

Accessories

Supplied Accessories	4 nuts M18x1 - 1 adjustment key - 2 90°angled brackets
----------------------	--

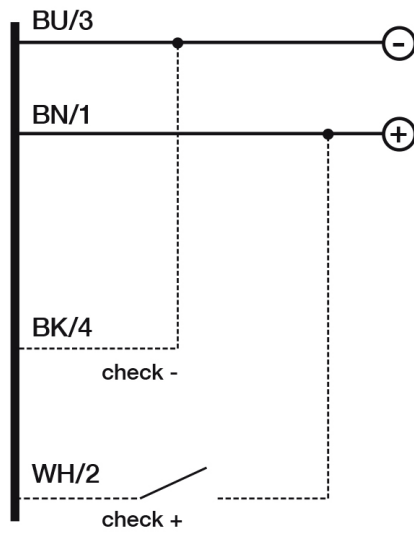
Generical Data

Dimensions	45x145x20
Operating Temperature	0°C...+ 50° C (without freeze)
Mechanical Protection	IP67

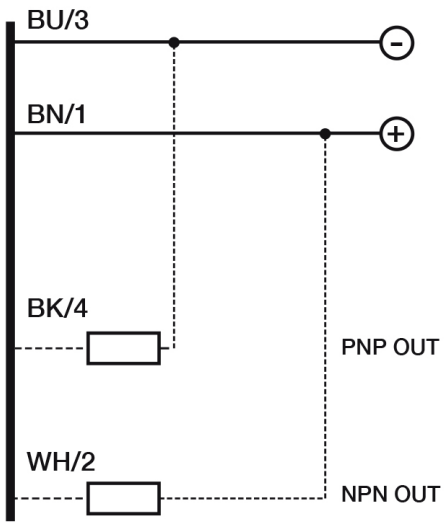
CONNECTIONS

Eletrical diagram

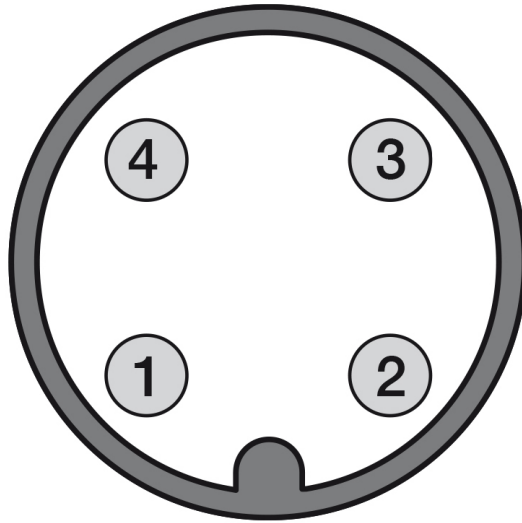
BX04 - BX10 emitter



BX04 - BX10 receiver

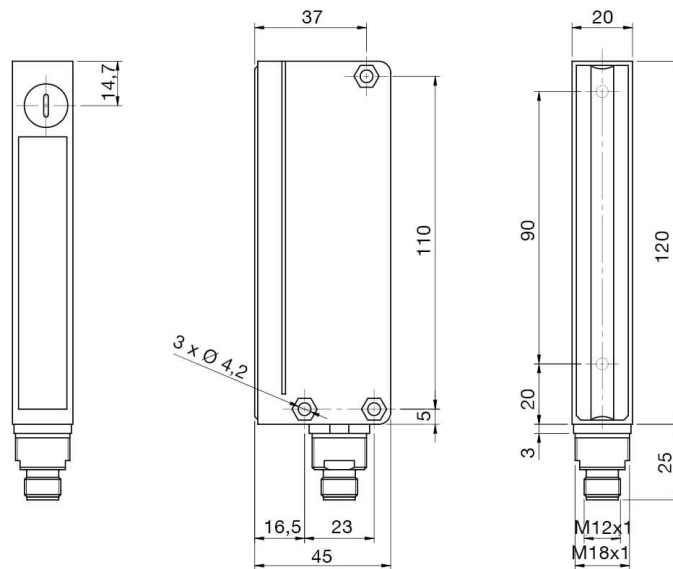


Connector



OTHERS

Dimensions



**Datasensing
S.r.l.**

Strada S.Caterina, 235
41122 Modena (MO)

**date of
printing**
13/06/2026
11:46:09

Tel. 059 420411
Fax 059 253973
E-mail
info@datasensing.com