



BX04-BX10

BX04R/AD-AB

Area Sen, H=90mm-30mm pitch,Receiver
MEDIUM RESOLUTION AREA SENSORS

OVERVIEW

- IP67 protection degree (IP69K special model)
- Complete protection against electrical damages
- Detection of objects with irregular shape
- ATEX models, cat. 2 and cat. 3, available on request
- LED indicators
- Crossed beams detection



TECHNICAL FEATURES

Detection properties

Nominal sensing distance	0,3 ... 2m
Thermal drift of Sr	≤10%
Beams space	30mm
controlled height	90mm
minimum detectable object	Ø 15mm

number of rays	4
----------------	---

Application

Function Principle	Receiver
--------------------	----------

Outputs

Output type	NPN + PNP
-------------	-----------

Output Function	NO
-----------------	----

Switching frequency	180Hz
---------------------	-------

Response time for light/dark transition	500 μ s
---	-------------

Response time for dark/light transition	5ms
---	-----

Electrical data

Operating Voltage	10...26VDC
-------------------	------------

No-Load supply current	50mA
------------------------	------

Load current	\leq 100mA
--------------	--------------

Leakage current	10 μ A
-----------------	------------

Output voltage drop	\leq 2V Iload = 100mA
---------------------	-------------------------

Max ripple content	\leq 10%
--------------------	------------

LED indicators	Yellow (output state) Red (alignment)
----------------	---------------------------------------

Time delay before availability	\leq 85ms
--------------------------------	-------------

Short-circuit protection	autoreset
Reverse Polarity Protection	Yes
Interference to external light	1000lux (incandescent lamp), 1500lux (sunlight)
Impulsive Overvoltage Protection	Yes

Mechanical data

Dimensions	45mm x 145mm x 20mm
Weight	150g
Housing Material	PBT
Connections	PVC 2m cable
Active Head Material	PC
Tightening torque	25Nm
Operating temperature	0°C...+ 50° C (without freeze)

Test/Approvals

Approvals	CE cULus
EMC compatibility	EN 60947-5-2
Degree of protection	IP67

Accessories

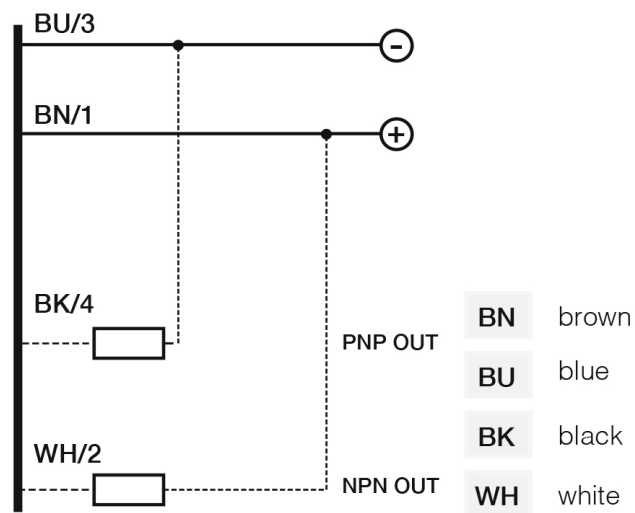
Supplied Accessories	4 nuts M18x1 - 1 adjustment key - 2 90°angled brackets
----------------------	--

Generical Data

Dimensions	45x145x20
Operating Temperature	0°C...+ 50° C (without freeze)
Mechanical Protection	IP67

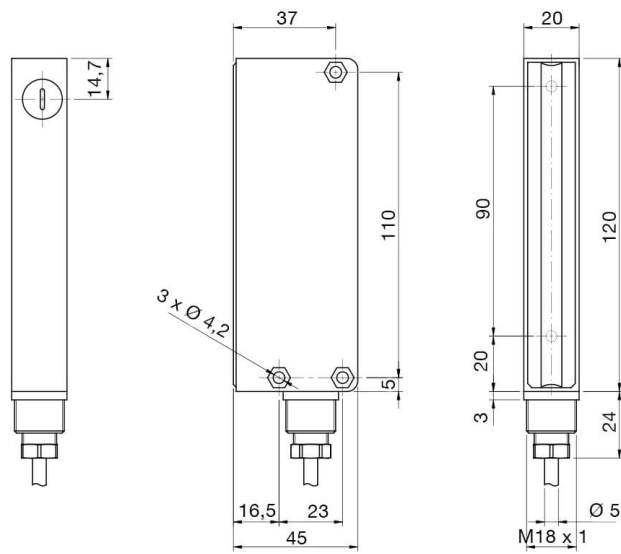
CONNECTIONS

Electrical diagram



OTHERS

Dimensions



**Datasensing
S.r.l.**

Strada S.Caterina, 235
41122 Modena (MO)
Tel. 059 420411
Fax 059 253973
E-mail
info@datasensing.com

**date of
printing**
05/06/2025
14:34:49