

BX80

BX80S/10-1H

Area Sen, H=70mm-6mm pitch, Emitter
HIGH RESOLUTION CUBIC HOUSING AREA SENSOR

OVERVIEW

- Controlled height 70 mm
- Operating distance up to 2 m
- Microprocessor based circuit
- Sensitivity adjustment
- Strong cubic housing
- Special version with metallic enclosure for high-duty use
- Protection degree IP67
- Complete protection against electrical damages



TECHNICAL FEATURES

Detection properties

| | |
|--------------------------|---------------------------|
| Nominal sensing distance | depending on the receiver |
| Thermal drift of Sr | ≤10% |
| Beams space | 6mm |
| controlled height | 70mm |

| | |
|---------------------------|---------------------------|
| minimum detectable object | Depending on the receiver |
| number of rays | 12 |
| Sensitivity adjustment | Yes |

Application

| | |
|--------------------|---------|
| Function Principle | Emitter |
|--------------------|---------|

Outputs

| | |
|-----------------|---------|
| Output type | Emitter |
| Output Function | Emitter |

Electrical data

| | |
|----------------------------------|---|
| Operating Voltage | 12...24 VDC |
| No-Load supply current | 100mA |
| Max ripple content | ≤ 10% |
| LED indicators | Green (powerON) |
| Time delay before availability | 500ms |
| Short-circuit protection | Yes (auto reset) |
| Reverse Polarity Protection | Yes |
| Emission | Infrared (880nm) |
| Interference to external light | 1.500 lux max. (incandescent lamp), 4.500 lux max. (sunlight) |
| Impulsive Overvoltage Protection | Yes |

Mechanical data

| | |
|-----------------------|--------------------------------|
| Dimensions | 60mm x 132mm x 30mm |
| Housing material | PBT |
| Weight | 260 ... 300g |
| Connections | M12 plug |
| Active Head Material | PC |
| Tightening torque | 25Nm |
| Operating temperature | -25°C...+50°C (without freeze) |
| Storage temperature | -40°C...+80°C |

Test/Approvals

| | |
|-----------------------|------------------|
| Approvals | CE cULus |
| EMC compatibility | IEC 60947-5-2 |
| Shocks and vibrations | IEC EN 60947-5-2 |
| Degree of protection | IP67 |

Accessories

| | |
|----------------------|--|
| Supplied Accessories | 2 nuts M18x1 - 1 adjustment key - 1 90°angled brackets |
|----------------------|--|

Generical Data

| | |
|------------|-----------|
| Dimensions | 60x132x30 |
|------------|-----------|

Operating Temperature

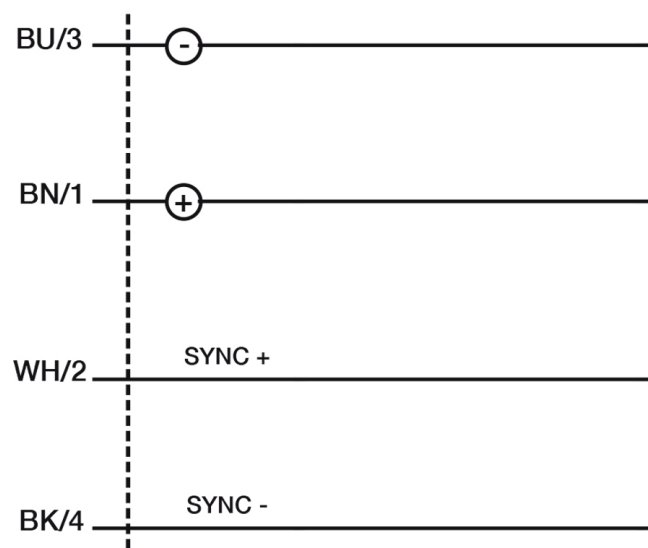
-25°C...+50°C (without freeze)

Mechanical Protection

IP67

CONNECTIONS

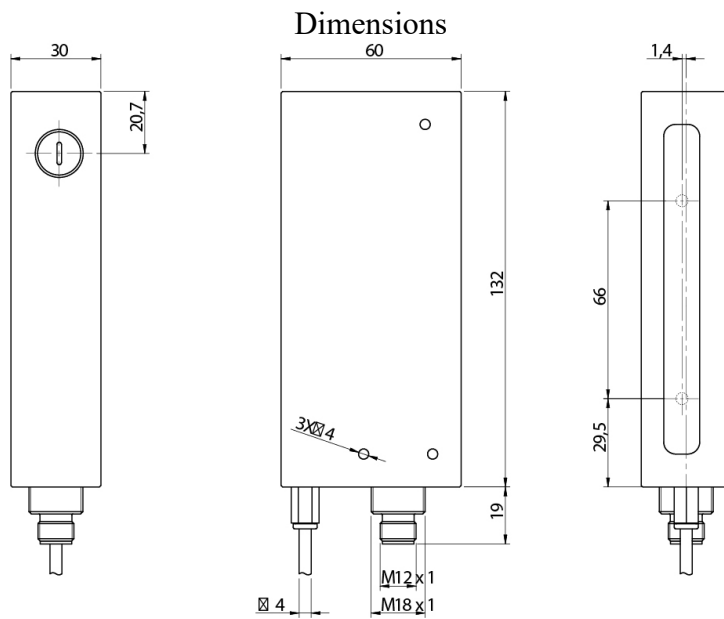
Electrical diagram



Connector



OTHERS



Datasensing S.r.l.

Strada S.Caterina, 235
41122 Modena (MO)
Tel. 059 420411
Fax 059 253973
E-mail
info@datasensing.com

date of
printing
13/06/2026
13:10:57