

# BX80

## BX80S/10-1A

Area Sen, H=70mm-6mm pitch,Emitter  
HIGH RESOLUTION CUBIC HOUSING AREA SENSOR

## OVERVIEW

- Controlled height 70 mm
- Operating distance up to 2 m
- Microprocessor based circuit
- Sensitivity adjustment
- Strong cubic housing
- Special version with metallic enclosure for high-duty use
- Protection degree IP67
- Complete protection against electrical damages



## TECHNICAL FEATURES

### Detection properties

Nominal sensing distance	depending on the receiver
Thermal drift of Sr	≤10%
Beams space	6mm
controlled height	70mm

minimum detectable object	Depending on the receiver
number of rays	12
Sensitivity adjustment	Yes

## Application

Function Principle	Emitter
--------------------	---------

## Outputs

Output type	Emitter
Output Function	Emitter

## Electrical data

Operating Voltage	12...24 VDC
No-Load supply current	100mA
Max ripple content	≤ 10%
LED indicators	Green (powerON)
Time delay before availability	500ms
Short-circuit protection	Yes (auto reset)
Reverse Polarity Protection	Yes
Emission	Infrared (880nm)
Interference to external light	1.500 lux max. (incandescent lamp), 4.500 lux max. (sunlight)
Impulsive Overvoltage Protection	Yes

## Mechanical data

Dimensions	44mm x 120mm x 20mm
Housing material	PBT
Weight	800 ... 820g
Connections	PVC 2m cable
Active Head Material	PC
Tightening torque	25Nm
Operating temperature	-25°C...+50°C (without freeze)
Storage temperature	-40°C...+80°C

## Test/Approvals

Approvals	CE cULus
EMC compatibility	IEC 60947-5-2
Shocks and vibrations	IEC EN 60947-5-2
Degree of protection	IP67

## Accessories

Supplied Accessories	2 nuts M18x1 - 1 adjustment key - 1 90°angled brackets
----------------------	--

## Generical Data

Dimensions	45x145x20
------------	-----------

Operating Temperature

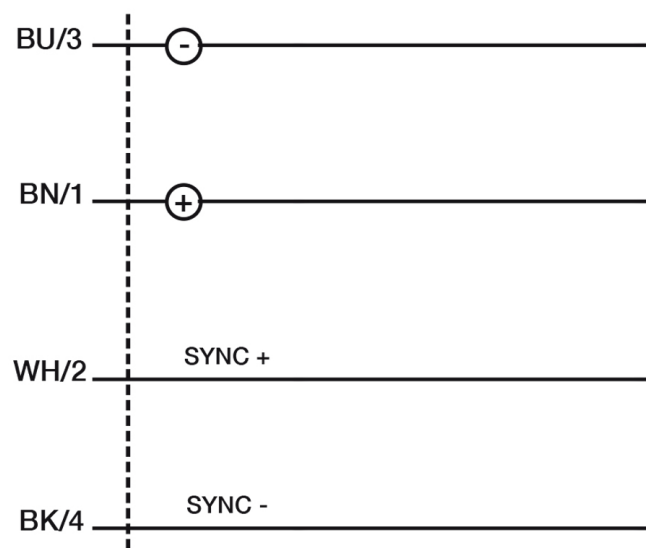
-25°C...+50°C (without freeze)

Mechanical Protection

IP67

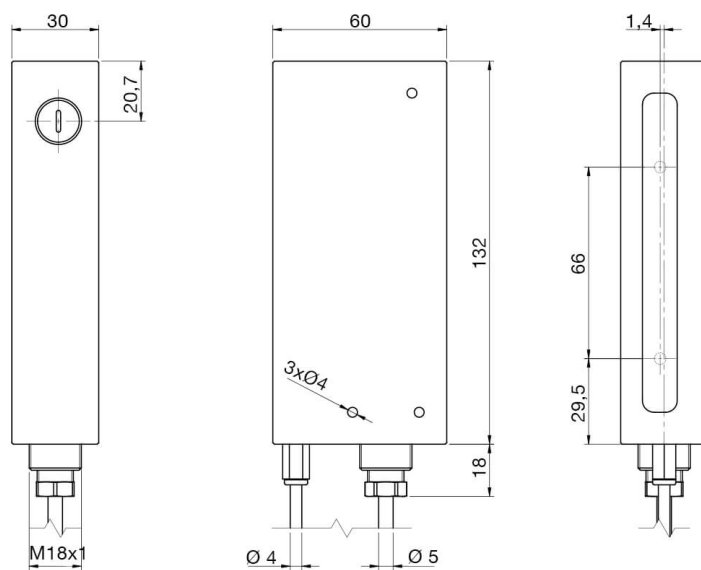
## CONNECTIONS

Electrical diagram



## OTHERS

Dimensions



**Datasensing  
S.r.l.**

Strada S.Caterina, 235  
41122 Modena (MO)  
Tel. 059 420411  
Fax 059 253973  
E-mail  
info@datasensing.com

**date of  
printing**  
13/06/2026  
13:35:09