



BX80

BX80A/2P-0H

Area Sen, H=70mm-6mm pitch,Receiver
HIGH RESOLUTION CUBIC HOUSING AREA SENSOR

OVERVIEW

- Controlled height 70 mm
- Operating distance up to 2 m
- Microprocessor based circuit
- Sensitivity adjustment
- Strong cubic housing
- Special version with metallic enclosure for high-duty use
- Protection degree IP67
- Complete protection against electrical damages



TECHNICAL FEATURES

Detection properties

| | |
|--------------------------|------------|
| Nominal sensing distance | 0 ... 1,5m |
|--------------------------|------------|

| | |
|---------------------|------|
| Thermal drift of Sr | ≤10% |
|---------------------|------|

| | |
|-------------|-----|
| Beams space | 6mm |
|-------------|-----|

| | |
|-------------------|------|
| controlled height | 70mm |
|-------------------|------|

| | |
|---------------------------|-------|
| minimum detectable object | Ø 6mm |
|---------------------------|-------|

| | |
|----------------|----|
| number of rays | 12 |
|----------------|----|

Application

| | |
|--------------------|----------|
| Function Principle | Receiver |
|--------------------|----------|

Outputs

| | |
|-------------|-----|
| Output type | PNP |
|-------------|-----|

| | |
|-----------------|-------|
| Output Function | NO/NC |
|-----------------|-------|

| | |
|---------------|------|
| Response time | 10ms |
|---------------|------|

Electrical data

| | |
|-------------------|-------------|
| Operating Voltage | 12...24 VDC |
|-------------------|-------------|

| | |
|------------------------|------|
| No-Load supply current | 50mA |
|------------------------|------|

| | |
|--------------|--------|
| Load current | ≤100mA |
|--------------|--------|

| | |
|-----------------|------|
| Leakage current | 10µA |
|-----------------|------|

| | |
|---------------------|--------------------|
| Output voltage drop | ≤1.2V Iload =100mA |
|---------------------|--------------------|

| | |
|--------------------|-------|
| Max ripple content | ≤ 10% |
|--------------------|-------|

| | |
|----------------|---|
| LED indicators | Green (powerON), red (alignment), yellow (output state) |
|----------------|---|

| | |
|--------------------------------|-------|
| Time delay before availability | 500ms |
|--------------------------------|-------|

| | |
|--------------------------|------------------|
| Short-circuit protection | Yes (auto reset) |
|--------------------------|------------------|

| | |
|-----------------------------|-----|
| Reverse Polarity Protection | Yes |
|-----------------------------|-----|

| | |
|--------------------------------|---|
| Interference to external light | 1.500 lux max. (incandescent lamp), 4.500 lux max. (sunlight) |
|--------------------------------|---|

| | |
|----------------------------------|-----|
| Impulsive Overvoltage Protection | Yes |
|----------------------------------|-----|

Mechanical data

| | |
|------------|---------------------|
| Dimensions | 44mm x 120mm x 20mm |
|------------|---------------------|

| | |
|------------------|-----|
| Housing material | PBT |
|------------------|-----|

| | |
|--------|--------------|
| Weight | 260 ... 300g |
|--------|--------------|

| | |
|-------------|----------|
| Connections | M12 plug |
|-------------|----------|

| | |
|----------------------|----|
| Active Head Material | PC |
|----------------------|----|

| | |
|-------------------|------|
| Tightening torque | 25Nm |
|-------------------|------|

| | |
|-----------------------|--------------------------------|
| Operating temperature | -25°C...+50°C (without freeze) |
|-----------------------|--------------------------------|

| | |
|---------------------|---------------|
| Storage temperature | -40°C...+80°C |
|---------------------|---------------|

Test/Approvals

| | |
|-----------|----------|
| Approvals | CE cULus |
|-----------|----------|

| | |
|-------------------|---------------|
| EMC compatibility | IEC 60947-5-2 |
|-------------------|---------------|

| | |
|-----------------------|------------------|
| Shocks and vibrations | IEC EN 60947-5-2 |
|-----------------------|------------------|

| | |
|----------------------|------|
| Degree of protection | IP67 |
|----------------------|------|

Accessories

| | |
|----------------------|--|
| Supplied Accessories | 2 nuts M18x1 - 1 adjustment key - 1 90°angled brackets |
|----------------------|--|

Generical Data

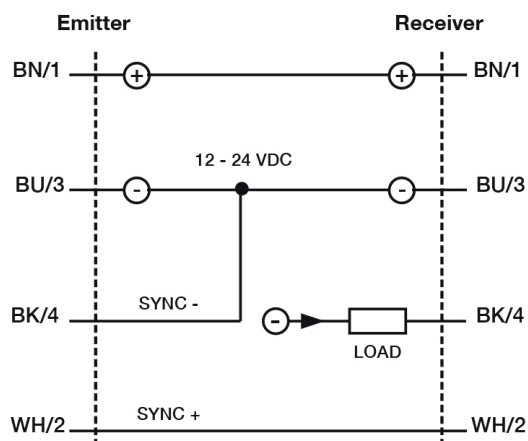
Dimensions 45x145x20

Operating Temperature -25°C...+50°C (without freeze)

Mechanical Protection IP67

CONNECTIONS

Electrical diagram



BN brown

BU blue

BK black

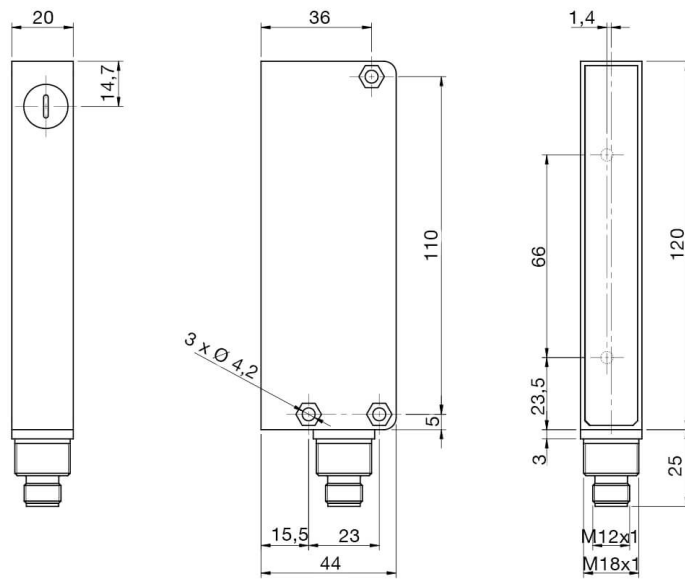
WH white

Connector



OTHERS

Dimensions



Tel. 059 420411
Fax 059 253973
E-mail
info@datasensing.com