

BX80

BX80A/1P-1H

Area Sen, H=70mm-6mm pitch,Receiver
HIGH RESOLUTION CUBIC HOUSING AREA SENSOR

OVERVIEW

- Controlled height 70 mm
- Operating distance up to 2 m
- Microprocessor based circuit
- Sensitivity adjustment
- Strong cubic housing
- Special version with metallic enclosure for high-duty use
- Protection degree IP67
- Complete protection against electrical damages



TECHNICAL FEATURES

Detection properties

Nominal sensing distance	0 ... 2m
Thermal drift of Sr	≤10%
Beams space	6mm
controlled height	70mm

minimum detectable object	Ø 6mm
---------------------------	-------

number of rays	12
----------------	----

Application

Function Principle	Receiver
--------------------	----------

Outputs

Output type	PNP
-------------	-----

Output Function	NO/NC
-----------------	-------

Response time	10ms
---------------	------

Electrical data

Operating Voltage	12...24 VDC
-------------------	-------------

No-Load supply current	50mA
------------------------	------

Load current	≤100mA
--------------	--------

Leakage current	10μA
-----------------	------

Output voltage drop	≤1.2V Iload =100mA
---------------------	--------------------

Max ripple content	≤ 10%
--------------------	-------

LED indicators	Green (powerON), red (alignment), yellow (output state)
----------------	---

Time delay before availability	500ms
--------------------------------	-------

Short-circuit protection	Yes (auto reset)
--------------------------	------------------

Reverse Polarity Protection	Yes
-----------------------------	-----

Interference to external light	1.500 lux max. (incandescent lamp), 4.500 lux max. (sunlight)
--------------------------------	---

Impulsive Overvoltage Protection	Yes
----------------------------------	-----

Mechanical data

Dimensions	60mm x 132mm x 30mm
------------	---------------------

Housing material	PBT
------------------	-----

Weight	260 ... 300g
--------	--------------

Connections	M12 plug
-------------	----------

Active Head Material	PC
----------------------	----

Tightening torque	25Nm
-------------------	------

Operating temperature	-25°C...+50°C (without freeze)
-----------------------	--------------------------------

Storage temperature	-40°C...+80°C
---------------------	---------------

Test/Approvals

Approvals	CE cULus
-----------	----------

EMC compatibility	IEC 60947-5-2
-------------------	---------------

Shocks and vibrations	IEC EN 60947-5-2
-----------------------	------------------

Degree of protection	IP67
----------------------	------

Accessories

Supplied Accessories	2 nuts M18x1 - 1 adjustment key - 1 90°angled brackets
----------------------	--

Generical Data

Dimensions

60x132x30

Operating Temperature

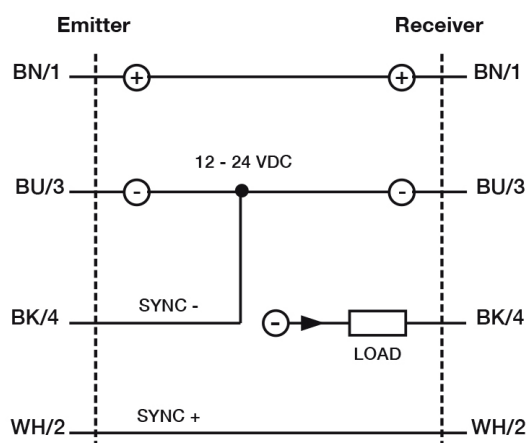
-25°C...+50°C (without freeze)

Mechanical Protection

IP67

CONNECTIONS

Electrical diagram



BN brown

BU blue

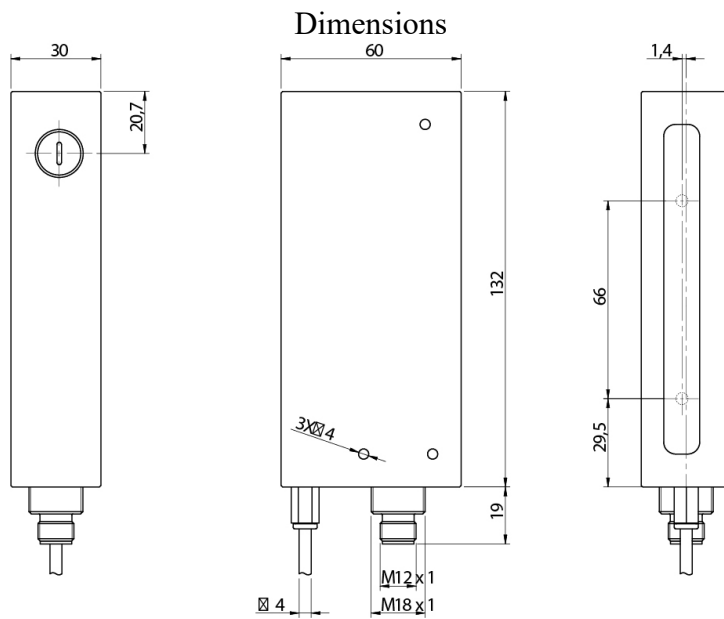
BK black

WH white

Connector



OTHERS



Datasensing S.r.l.

Strada S.Caterina, 235
41122 Modena (MO)
Tel. 059 420411
Fax 059 253973
E-mail
info@datasensing.com

date of
printing
19/06/2026
10:31:34