



AS1

958101020

AS1-HD-HR-010-J

**AREASCAN™ HIGH-RESOLUTION DETECTION
PHOTOELECTRIC LIGHT GRIDS**

OVERVIEW

- Crossed beam area sensors
- 100mm controlled height
- Adjustment trimmer
- Optical or wire synchronism
- Scan Mode input

TECHNICAL FEATURES

Detection properties

Nominal sensing distance	0,3...3m
controlled height	100mm
minimum detectable object	Flat: 0,2x75mm Cylindrical: Ø 6mm
number of rays	16
Sensitivity adjustment	n/a

Application

Function Principle	Emitter- Receiver
Description	Slim profile - High res. 6 mm
Functions	Light array for detection

Outputs

Output type	PNP - Dark mode
Output Function	Dark ON
Response time	1,7ms

Electrical data

Operating Voltage	20,4...27,6VDC
No-Load supply current	$\leq 190\text{mA}$
Load current	$\leq 100\text{mA}$
Output voltage drop	$\leq 1,5\text{V}$ $I_{\text{load}} = 100\text{mA}$
LED indicators	Yellow (output state) Green (PowerON)
Emission	Infrared (880nm)

Mechanical data

Dimensions	22x150x43
Material	Metal - Aluminium / PMMA
Housing material	Aluminium
Weight	300g

Connections	M12 Plug
-------------	----------

Active Head Material	PMMA
----------------------	------

Test/Approvals

Approvals	CE cULus
-----------	----------

Accessories

Supplied Accessories	Fixing brackets
----------------------	-----------------

Generical Data

Dimensions	22x150x43
------------	-----------

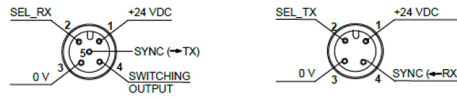
Operating Temperature	0°C...+ 50° C
-----------------------	---------------

Mechanical Protection	IP65
-----------------------	------

CONNECTIONS

Connector

M12 CONNECTOR

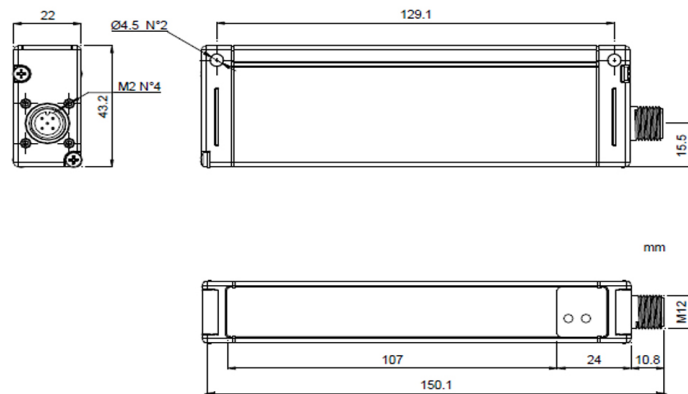


	AS1-HR	AS1-SR		AS1-HR	AS1-SR
RECEIVER (RX): M12 5-pole connector	1 – brown: +24 VDC	+24 VDC	EMITTER (TX): M12 4-pole connector	1 – brown: +24 VDC	+24 VDC
	2 – white: SEL_RX	Not used		2 – white: SEL_TX	Not used
	3 – blue: 0 V	0 V		3 – blue: 0 V	0 V
	4 – black: Switching output	Switching output		4 – black: SYNC **	SYNC *
	5 – grey: SYNC *	SYNC *			

* not used in trimmer version
** SEL_TX2 in trimmer version

OTHERS

Dimensions



**Datasensing
S.r.l.**

Strada S.Caterina, 235
41122 Modena (MO)

**date of
printing**
22/06/2026
05:18:22

Tel. 059 420411
Fax 059 253973
E-mail
info@datasensing.com