



SH/TH

TH2/R-KIC

Safety, M30, Receiver, M12 90°, Type 2
PHOTOCELLS TYPE 2 AND TYPE 4

OVERVIEW

- M18 Models 10 m (axial optic) and 5 m (radial optic) operating distance
- M30 models 60 m operating distance
- EN50100 Category 2 and Category 4 compliant
- LED indicators
- Plastic and Metal Housing
- Inputs and Outputs IEC61131-2 compliant and adaptable with any safety module
- To be used together with a Category 2 or Category 4 safety control unit to obtain a safety system EN ISO 13849 compliant



TECHNICAL FEATURES

Detection properties

Nominal sensing distance	60m (ExG=2)
--------------------------	-------------

Thermal drift of Sr	≤ 10%
---------------------	-------

Resolution	Single-beam
------------	-------------

controlled height	Single-beam
-------------------	-------------

Effective Aperture Angle	$\leq \pm 5^\circ$
Effective Aperture Angle	Typical $\pm 1,8^\circ$

Application

Function Principle	Receiver
Notes	not working with SBCR03 control unit. To be used with external safety control unit with automatic optics test function
Description	M30 Type 2 Safety Photocell Receiver

Safety parameters

Type	Type 2 safety photocell
SIL	1
SILCL	1
PL	c
PFHd	1,00E-06
MTTFd	20 years

Outputs

Output type	Totem-pole
Response time for light/dark transition	200 μ s
Response time for dark/light transition	400 μ s

Electrical data

--	--

Operating Voltage	10 ... 30 Vdc
No-Load supply current	$\leq 25\text{mA}$
Load current	$\leq 70\text{mA}$
Output voltage drop	2,5V @ 50mA
Max ripple content	$\leq 5 \text{ Vpp}$
LED indicators	Yellow (alignement)

Mechanical data

Dimensions	M30
Housing Material	PBT
Connections	M12 plug
Active Head Material	Glass
Operating temperature	-20°C ... +55°C
Storage temperature	-40°C ... +75°C
humidity	15% ... 95%

Test/Approvals

Approvals	CE, TÜV
Shocks and vibrations	10g - 16ms (according to IEC600068-2-29) 10Hz...55Hz - 1 oct/min - 0,35mm (according to 60068-2-6)
Degree of protection	IP67

Accessories

Supplied Accessories	2 x nuts
----------------------	----------

Generical Data

Dimensions	M30
------------	-----

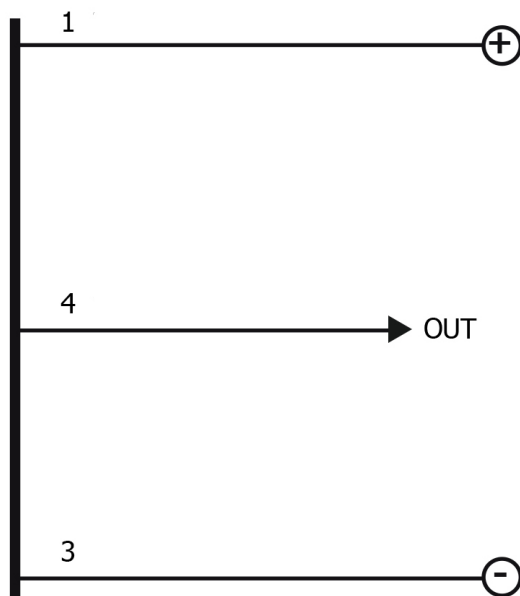
Operating Temperature	-20...+55°C (Without freeze)
-----------------------	------------------------------

Humidity	15% ... 95%
----------	-------------

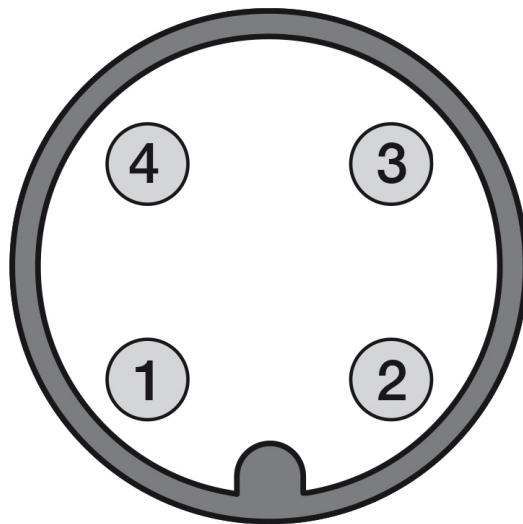
Mechanical Protection	IP67
-----------------------	------

CONNECTIONS

Electrical diagram

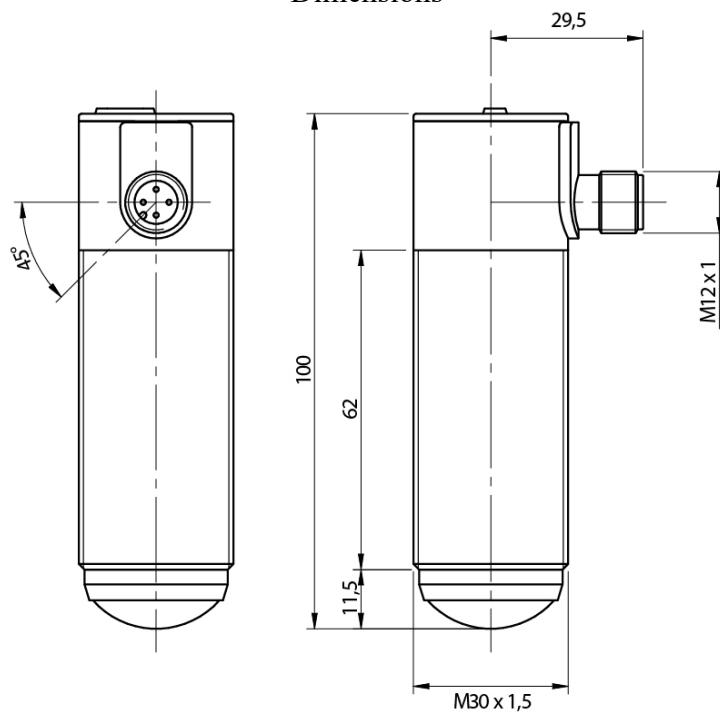


Connector



OTHERS

Dimensions



Datasensing S.r.l.

Strada S.Caterina, 235
41122 Modena (MO)
Tel. 059 420411

**date of
printing**
17/04/2026
10:55:02

Fax 059 253973

E-mail

info@datasensing.com