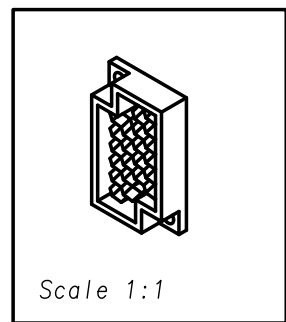
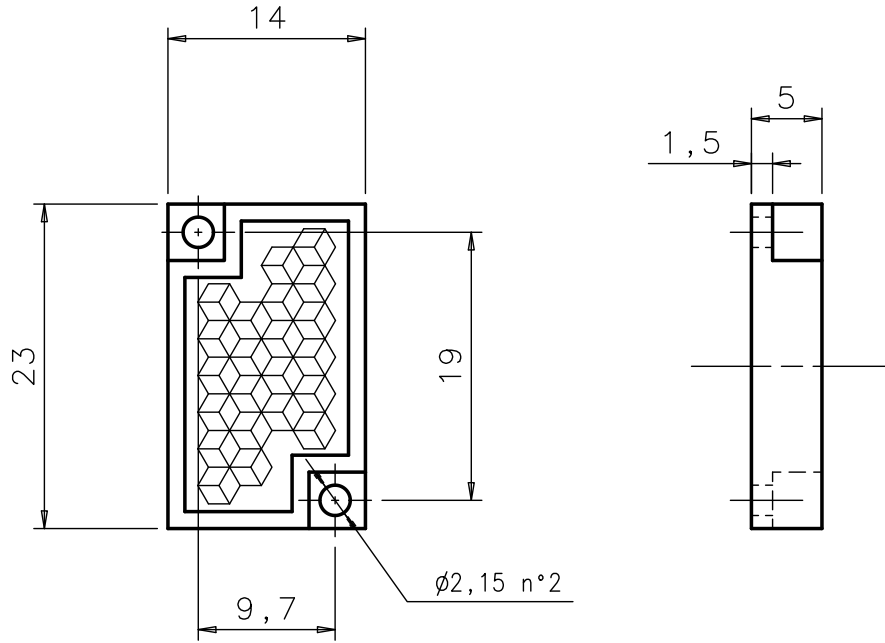


This document, technical information and specification contained here in are proprietary and must not be used, copied, reproduced, or otherwise dealt with nor communicated to other except in accordance with written instructions received from DATASENSOR S.p.A.
 Questo documento, le informazioni tecniche e le specifiche in esso contenute sono da considerarsi confidenziali e non devono essere utilizzate, copiate, riprodotte o trattate diversamente, né comunicate ad altri, se non in seguito ad istruzioni scritte ricevute da DATASENSOR S.p.A.



MOD.	REV.	APPLICATION	DESCRIPTION	DATE	SIGNATURE			
DIMENSIONS WITHOUT TOLERANCE RANGE: .			NOTE: .					
PRECISION RANGE	DIMENSIONAL GROUPS					TREAT. .	SCALE: 2:1	
		> 0 TO 6	> 6 TO 30	> 30 TO 120	> 120 TO 315			
MEDIUM	±0.1	±0.2	±0.3	±0.5	±0.8	MATER. .	DES. BY M. Brancaleoni DATE 11/05/2009 APPROV. .	
PRECISE	±0.05	±0.1	±0.15	±0.2	±0.3	PART DESCRIPTION		MOLD N° .
		DATASENSOR S.p.A. Via Lavino, 265 40050 Monte S. Pietro-Bologna-Italy Tel. +39.051.6765611 Fax: +39.051.6759324 http://www.datasensor.com e-mail: info@datasensor.com		R16 Dimensions		PART N° 95A151330 REV. .		PART NAME R16 .