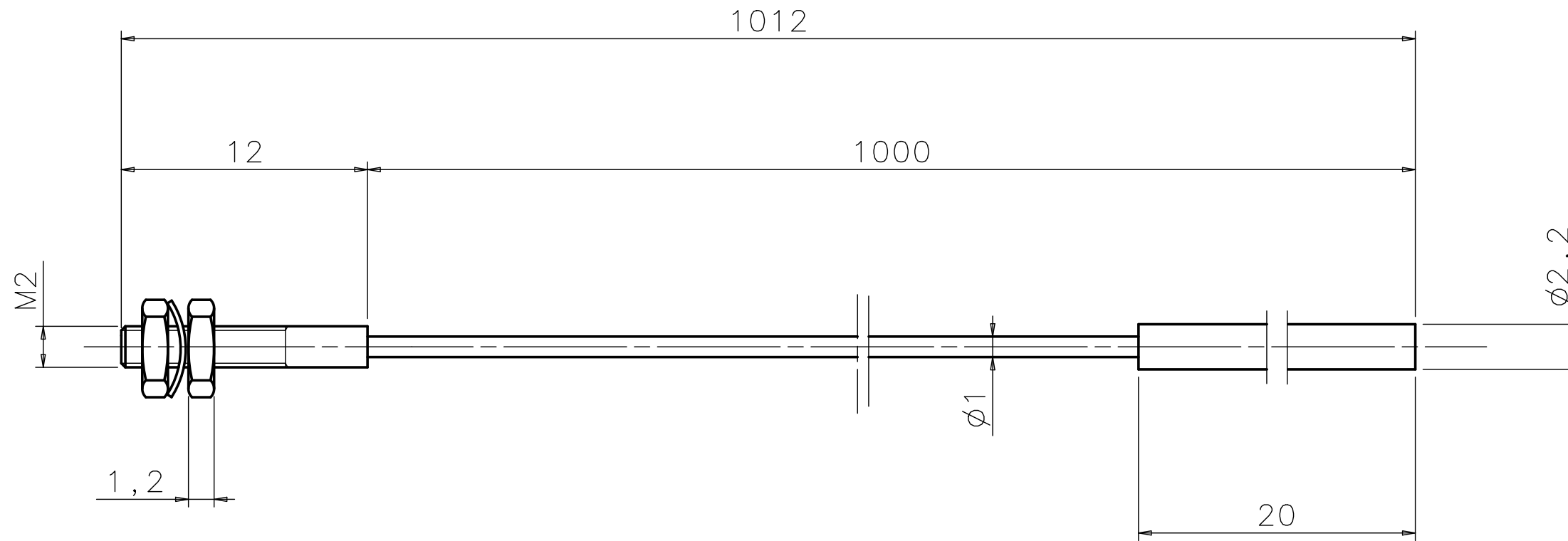


This document technical information and specification contained herein are proprietary and must not be used copied reproduced or otherwise dealt with nor communicated to others except in accordance with the specific conditions of use. This document contains confidential information and its disclosure to third parties is strictly prohibited.



MOD.	REV.	PROPOSTA	DESCRIZIONE	DATA	FIRMA				
QUOTE SENZA TOLLERANZA GRADO DI PRECISIONE:			NOTE						
GRADO DI PRECISIONE	GRUPPI DI DIMENSIONI					TRATT.	SCALA		
	> 0 A 6	> 6 A 30	> 30 A 120	> 120 A 315	> 315 A 999				MATER.
MEDIO	±0,1	±0,2	±0,3	±0,5	±0,8	DIS.DA 28.10.91	DATA L.CONTI	APPROV.	
PRECISO	±0,05	±0,1	±0,15	±0,2	±0,3	DENOMINAZIONE		STAMPO	
I.E.S. s.p.a. Industrie Elettroniche Sensor Via Lavino, 265 (Monte S.Pietro) Bologna-Italy TEL.051/6765611 - FAX 051/6759324						DIMENSIONI DI INGOMBRO		CODICE	REV.
						FIBRA OF25-10		SIGLA DIM-0041	