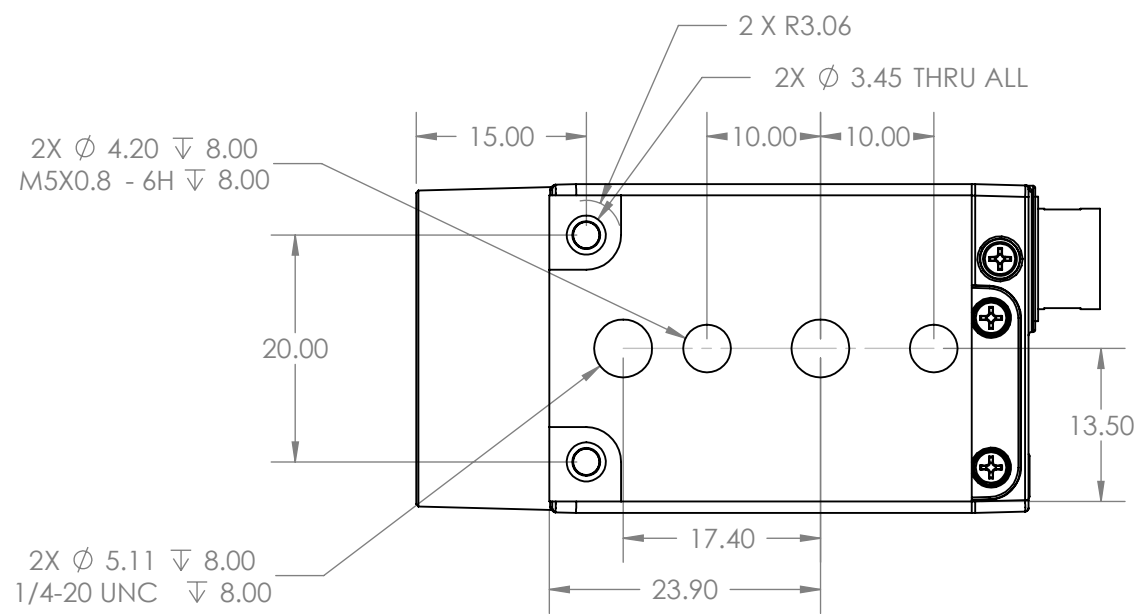
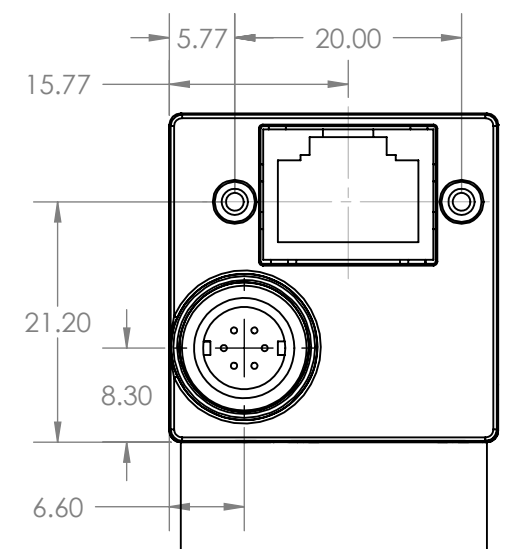
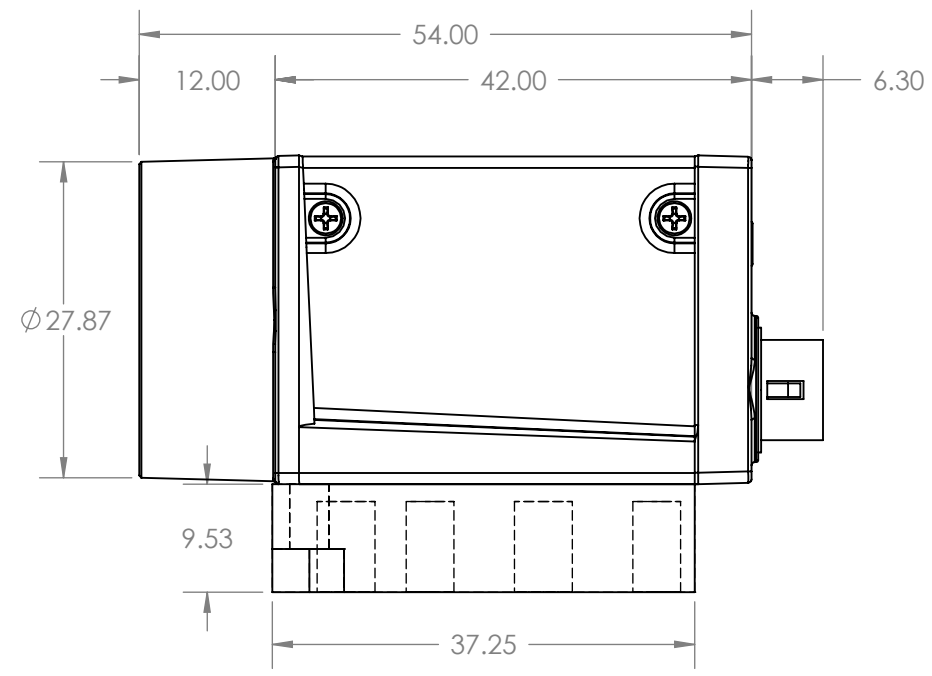
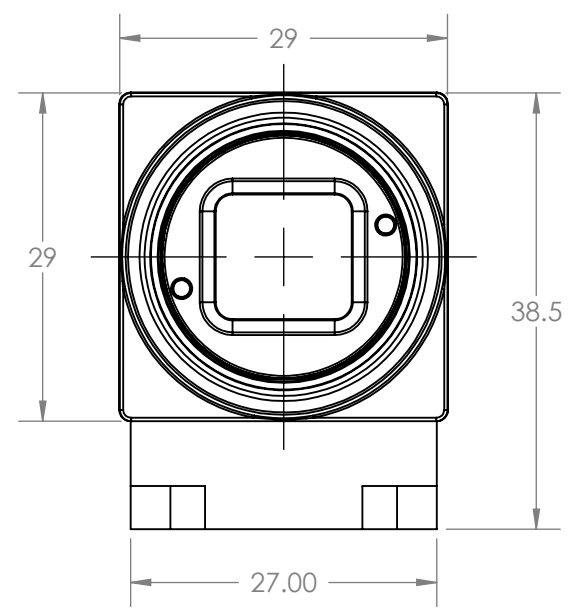
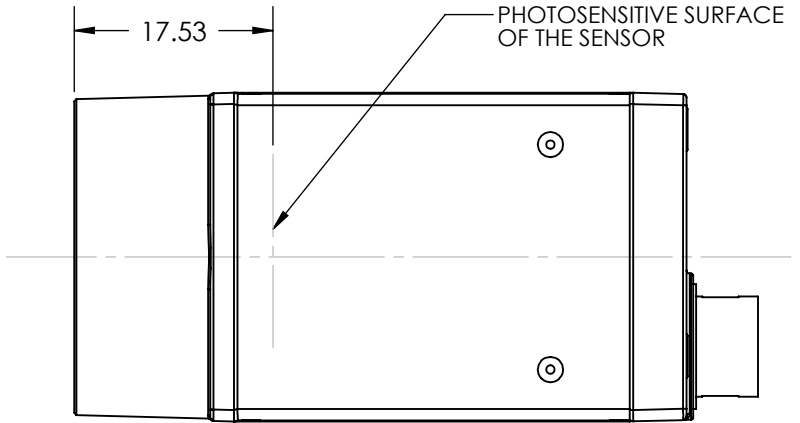
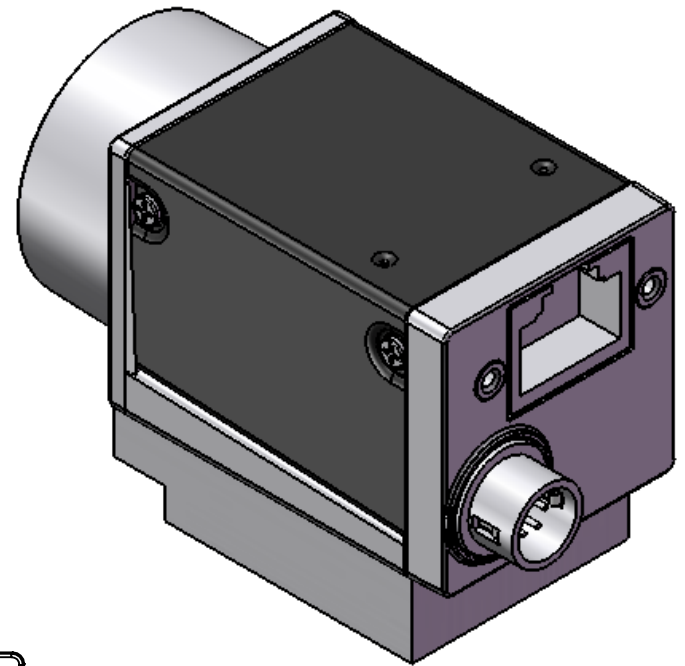



8 7 6 5 4 3 2 1

D
C
B
A

D
C
B
A



UNLESS OTHERWISE SPECIFIED:		NAME	DATE	 PPT VISION <small>6301 Old Shakopee Road Suite A Bloomington, MN 55438, USA Telephone: 952-996-9500 Fax: 952-996-9501</small>
TOLERANCES:		DRAWN	REF	
DECIMALS	ANGLES	CHECKED	-	TITLE:
.X = +/- 2.54	+/- 6.35deg	ENG APPR.	-	PPT M1XX SERIES
.XX = +/- 1.27		MFG APPR.		
UNITS: MM		Q.A.		
MATERIAL		COMMENTS:		
FINISH				SIZE
				DWG. NO.
				PPT M1XX SERIES
				REV
				01
				SCALE: 3:2
				WEIGHT:
				SHEET 1 OF 1
DO NOT SCALE DRAWING				

8 7 6 5 4 3 2 1